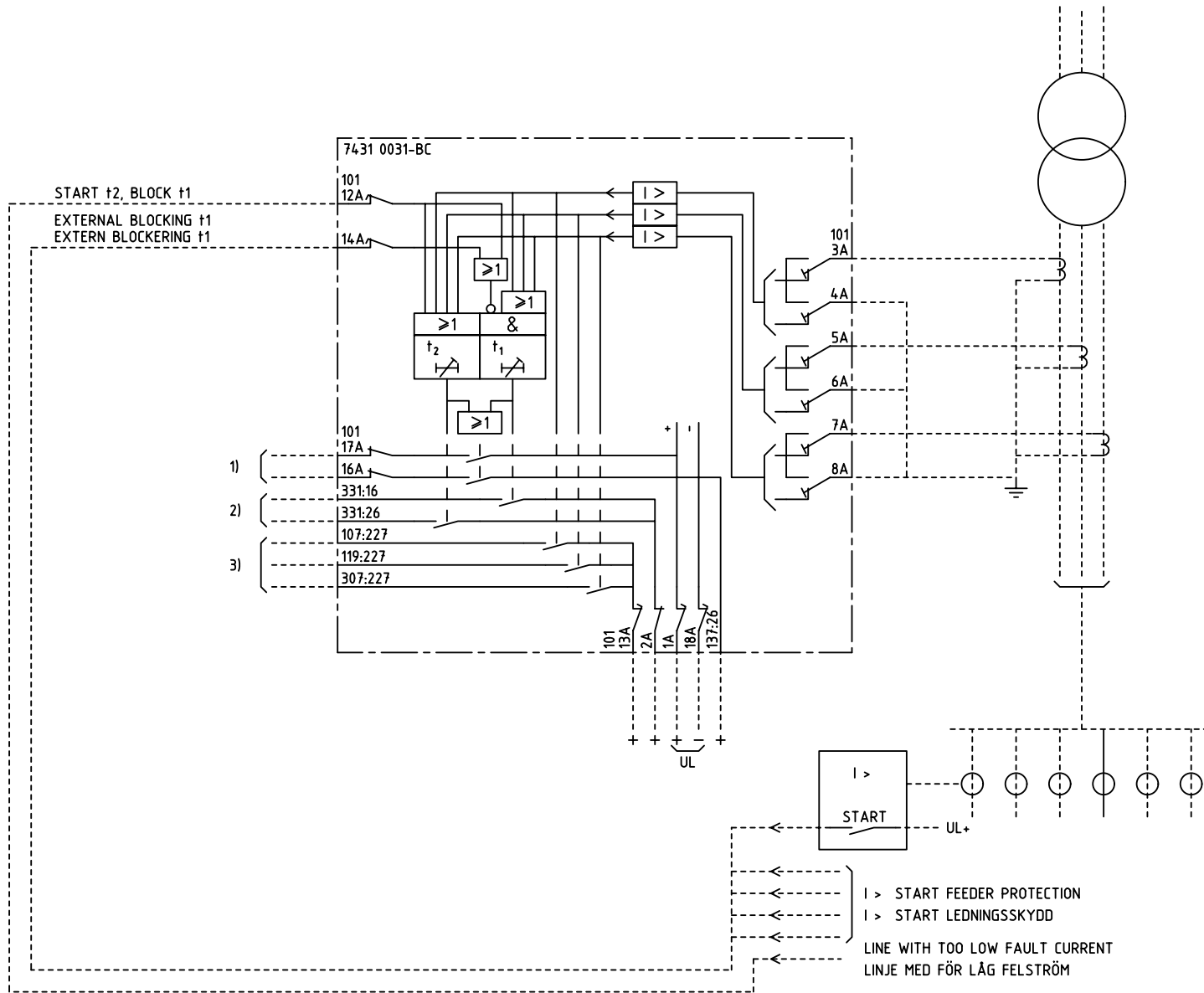
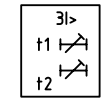


We reserve all rights in this document and in the information contained therein. Reproduction, use for other than intended purposes, or distribution without the written permission of ABB Network Partner AB is strictly forbidden.



**BUS PROTECTION
SAMLINGSSKENESKYDD**



3-PHASE OVERCURRENT PROTECTION
 WITH TWO TIME STEPS.
 FIRST STEP CAN BE BLOCKED
 3-FAS ÖVERSTRÖMSSKYDD MED
 TVÅ TIDSSTEG. FÖRSTA STEGET
 KAN BLOCKERAS
 $t1 < t2$

- 1) TRIPPING ETC.
UTLÖSNING M.M.
- 2) ALARM ETC.
SIGNAL M.M.
- 3) BLOCKING, INDICATING ETC.
BLOCKERING, INDIKERING M.M.

I > START FEEDER PROTECTION
 I > START LEDNINGSSKYDD
 LINE WITH TOO LOW FAULT CURRENT
 LINJE MED FÖR LÅG FELSTRÖM

ELCAD ID PAT/render

DATE 2004-06-223:07

Issued in ARCADE

Prepared 84 40		C-H EINVALL		TERMINAL DIAGRAM/UTTAGSSCHEMA			
Approved 84 40		P JENÄKER		3-PHASE OVERCURRENT PROTECTION			
				3-FAS ÖVERSTRÖMSSKYDD		Resp dep PAT	
Rev Ind		Revision		Reg No 7431		Rev Ind 4 96 45	
Based on		Pcl 890.651		ABB ABB Network Partner AB		Lang 82	
				7431 0031-BBA		Sheet 1	
						Cont	