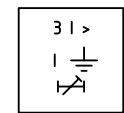
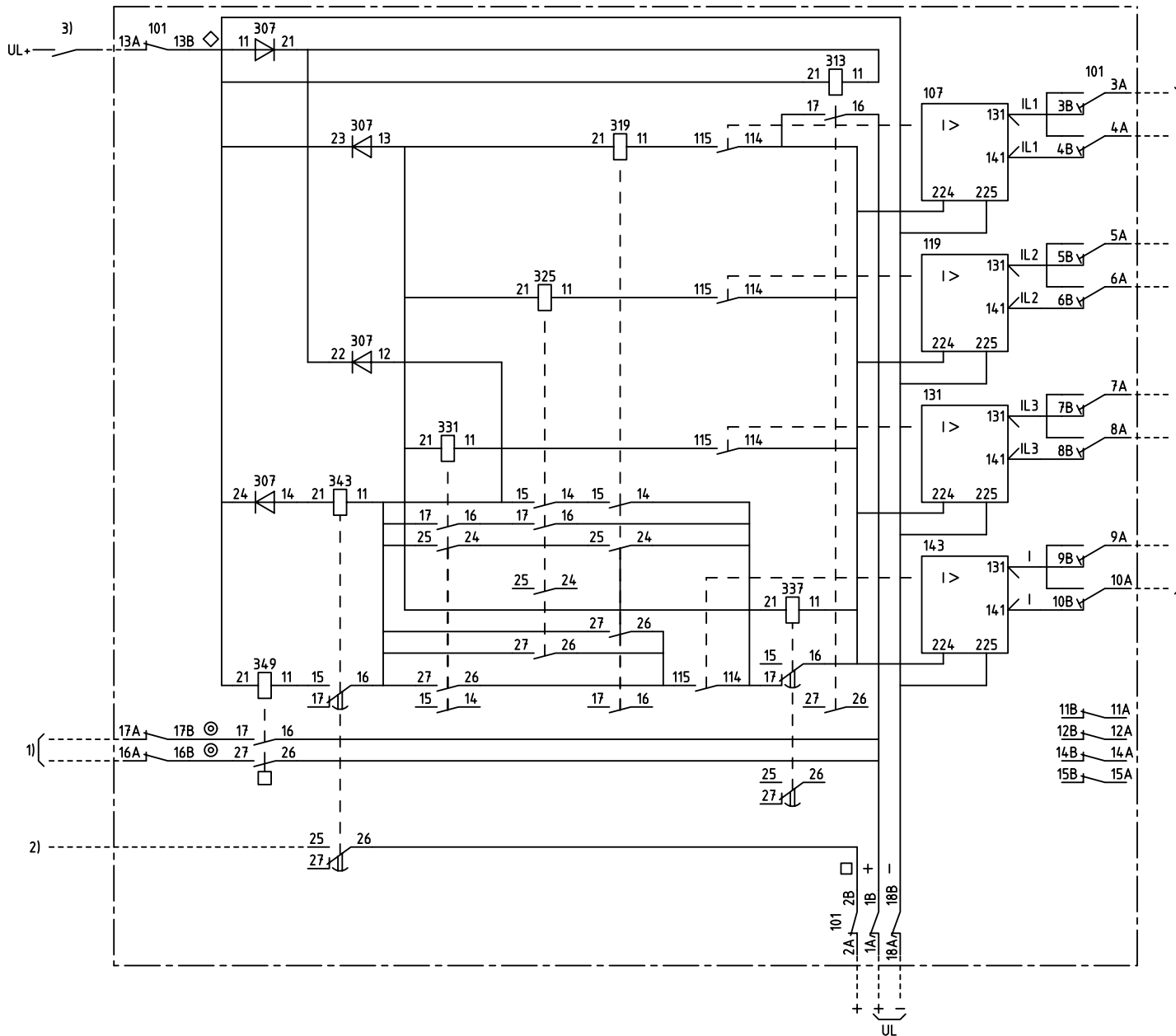


We reserve all rights in this document and in the information contained therein. Reproductions, use or distribution of this document without the written consent of ABB Network Partner AB is strictly forbidden.



**BREAKER FAILURE PROTECTION
BRYTARFELSSKYDD**

60C								
101	107	119	131	143				
	307	313	319	325	331	337	343	349

4U

- 101 RTXP 18
- 107 119 RXIB 2
- 131 143 RXIB 2
- 319 325 331 RXMS 1
- 307 RXTDA 1
- 313 RXME 1
- 337 343 RXXL 1
- 349 RXME 18

- 1) TRIPPING OF BACK-UP CIRCUIT BREAKERS
UTLÖSNING AV RESERVBRYTARE
- 2) ALARM ETC.
SIGNAL M.M
- 3) TRIPPING CONTACT
UTLÖSNINGSKONTAKT

- 11B 11A
- 12B 12A
- 14B 14A
- 15B 15A

ELCAD ID TPTD/render		DATE 2004-06-224:27		RK 651 081-DC		Issued in ARCADE	
		Prepared 88.40	C-H EINVALL		CIRCUIT DIAGRAM/KRETSSCHEMA		
		Approved 88.40	Peter Jenøker		RAICA BREAKER FAILURE PROTECTION		
					RAICA BRYTARFELSSKYDD		
Rev Ind	Revision	Reg No 7431			Resp dep TPTD	Rev ind 2 96.45	Lang 82
Based on		Pcl 890.651			7431 0122-DC		Sheet 1
				ABB ABB Network Partner AB		Cont	