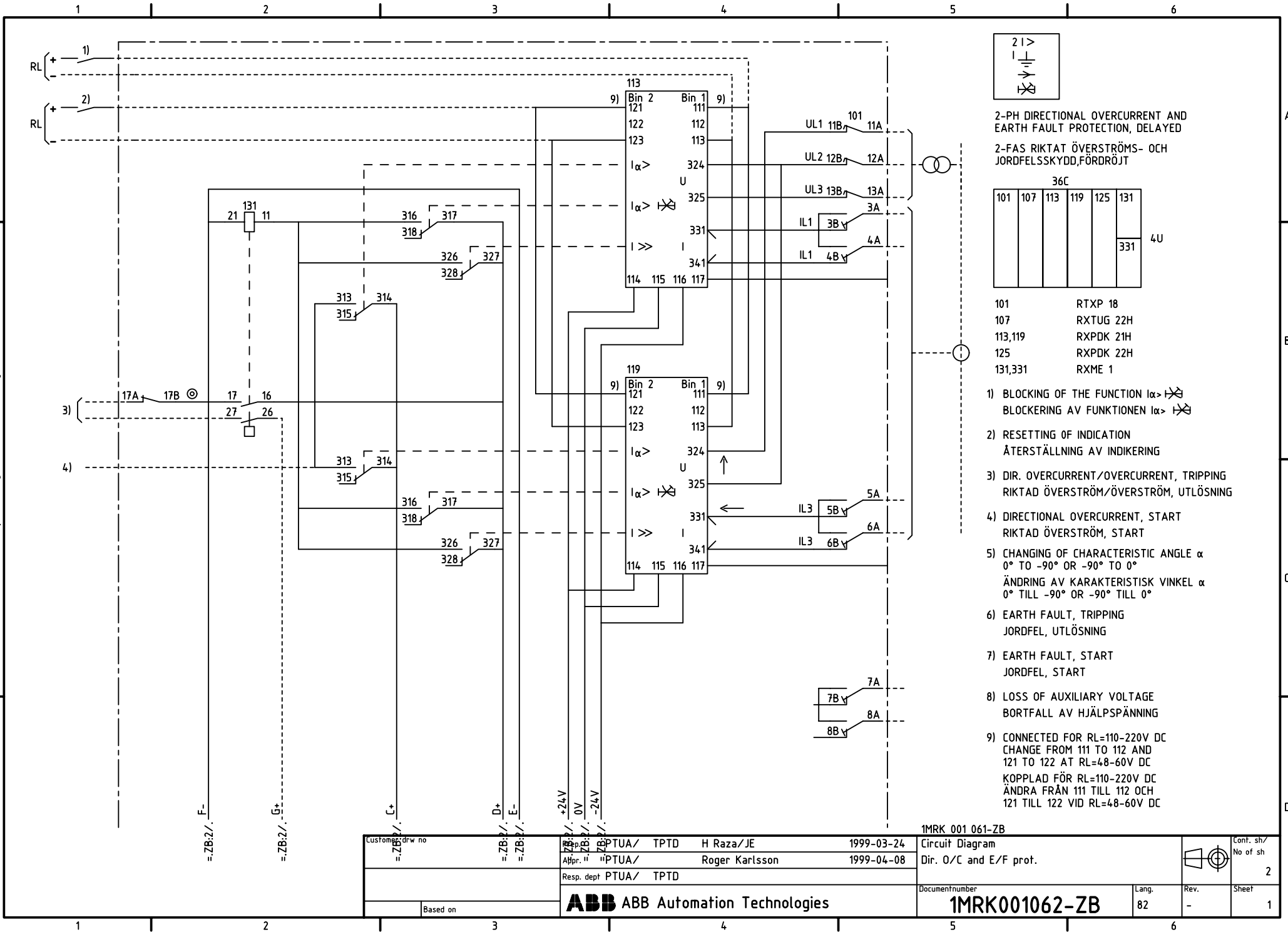


We reserve all rights in this document and in the information contained therein. Reproduction, use or distribution of this document without the written authority of ABB Automation Technologies AB is strictly forbidden. © ABB Automation Technologies AB



2-PH DIRECTIONAL OVERCURRENT AND EARTH FAULT PROTECTION, DELAYED  
2-FAS RIKTAT ÖVERSTRÖMS- OCH JORDFELSSKYDD, FÖRDÖJT

36C					
101	107	113	119	125	131
					331
					4U

101	RTXP 18
107	RXTUG 22H
113,119	RXPDK 21H
125	RXPDK 22H
131,331	RXME 1

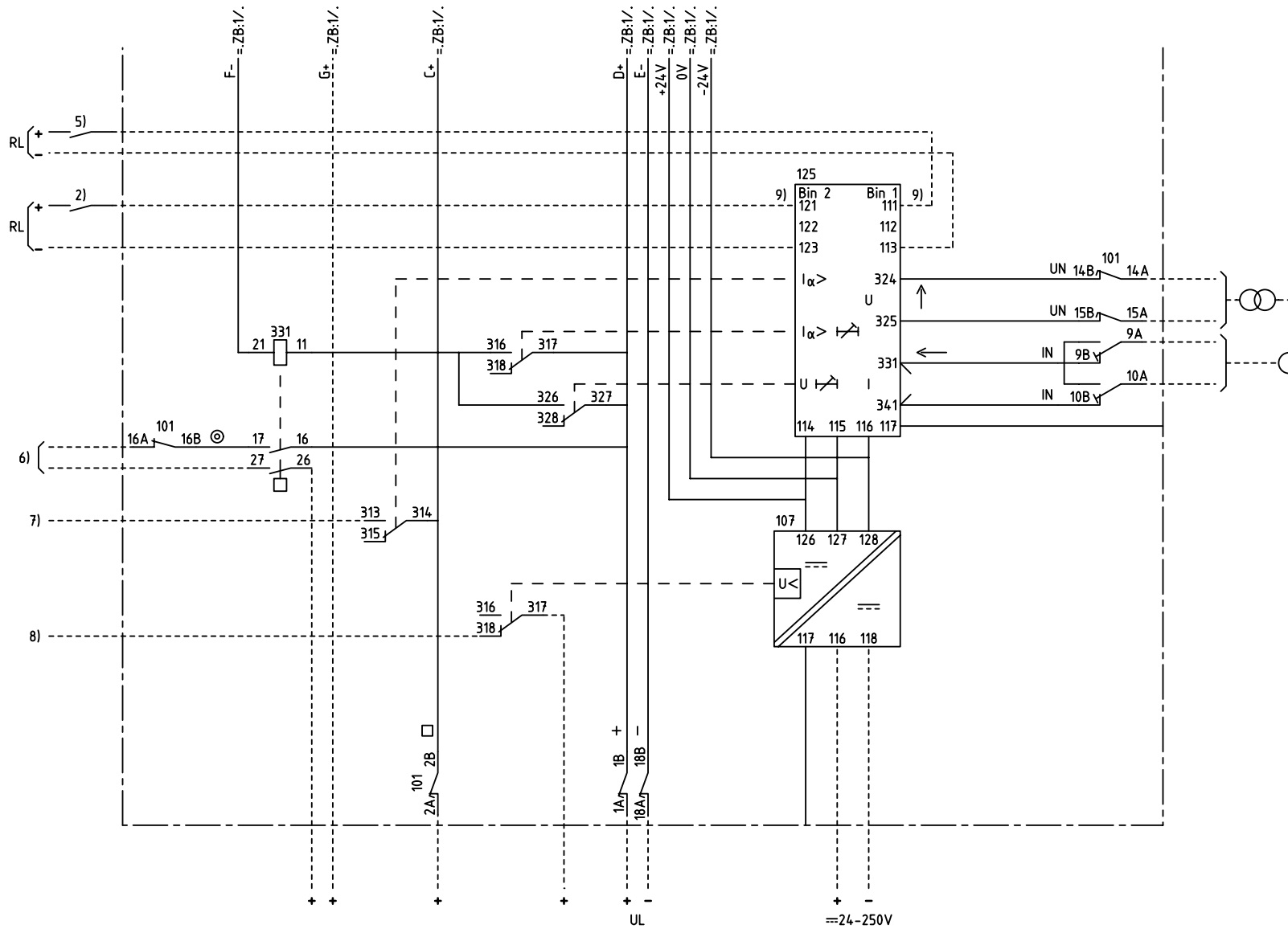
- 1) BLOCKING OF THE FUNCTION  $I_{\alpha} >$
- 2) RESETTING OF INDICATION
- 3) DIR. OVERCURRENT/OVERCURRENT, TRIPPING
- 4) DIRECTIONAL OVERCURRENT, START
- 5) CHANGING OF CHARACTERISTIC ANGLE  $\alpha$
- 6) EARTH FAULT, TRIPPING
- 7) EARTH FAULT, START
- 8) LOSS OF AUXILIARY VOLTAGE
- 9) CONNECTED FOR RL=110-220V DC

1MRK 001 061-ZB

Customer/drw no	PTUA/ TPTD H Raza/JE	1999-03-24	Circuit Diagram	Conf. sh/ No of sh
Appr. =	PTUA/ Roger Karlsson	1999-04-08	Dir. O/C and E/F prot.	2
Resp. dept	PTUA/ TPTD		Document number	Sheet
	<b>ABB</b> ABB Automation Technologies		<b>1MRK001062-ZB</b>	1
Based on			Lang. 82	Rev. -

Document status: Approved

We reserve all rights in this document and in the information contained therein. Reproduction, use for other than intended purposes, or distribution without the written permission of ABB Automation Technologies AB is strictly forbidden. © ABB Automation Technologies AB



Customer drw no	Prep. PTUA/ TPTD H Raza/JE	1999-03-24	Circuit Diagram	Conf. sh/ No of sh
	Appr. PTUA/ Roger Karlsson	1999-04-08		
	Resp. dept PTUA/ TPTD		Document number	Lang.
Based on				
	ABB ABB Automation Technologies		Rev.	Sheet
			-	2

Document status: Approved