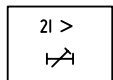
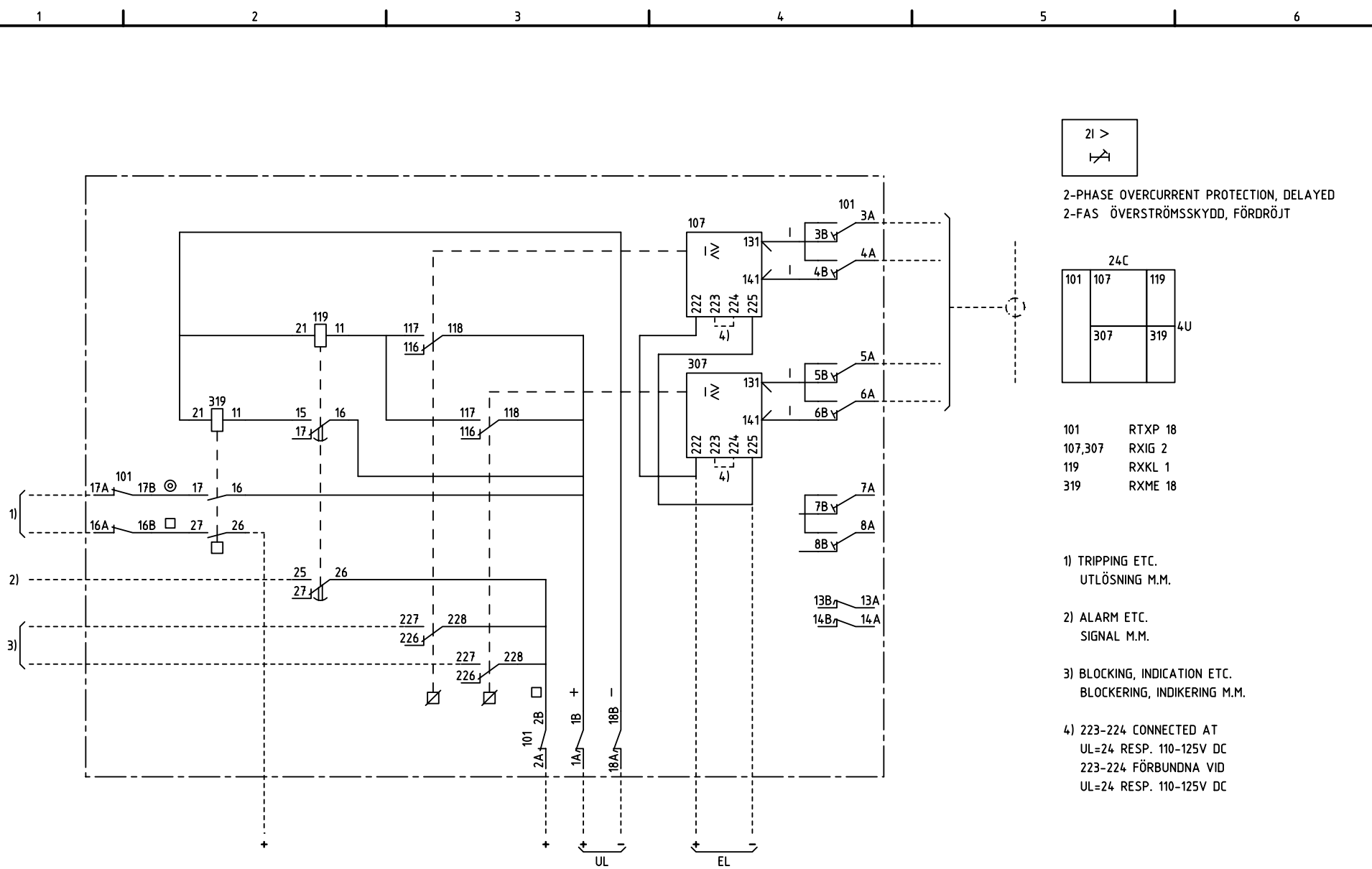
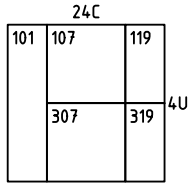


We reserve all rights in this document and in the information contained therein. Reproductions, use for other than intended purposes or in any way not permitted by ABB Network Partner AB is strictly forbidden.



2-PHASE OVERCURRENT PROTECTION, DELAYED  
 2-FAS ÖVERSTRÖMSSKYDD, FÖRDRÖJT



- 101 RTXP 18
- 107,307 RXIG 2
- 119 RXKL 1
- 319 RXME 18

- 1) TRIPPING ETC.  
UTLÖSNING M.M.
- 2) ALARM ETC.  
SIGNAL M.M.
- 3) BLOCKING, INDICATION ETC.  
BLOCKERING, INDIKERING M.M.
- 4) 223-224 CONNECTED AT  
UL=24 RESP. 110-125V DC  
223-224 FÖRBUNDNA VID  
UL=24 RESP. 110-125V DC

ELCAD ID PAT/render		DATE 2004-06-223:59		1MRK 001 037-HA		Issued in ARCADE	
		Prepared 96-01-27 C H Einvall/J Eriksson		CIRCUIT DIAGRAM/KRETSSCHEMA			
		Approved 96-03-22 P Jenåker		RAIG 2-PHASE OVERCURRENT PROTECTION			
				RAIG 2-FAS ÖVERSTRÖMSSKYDD		Resp dep PAT Rev ind 1 97 07 Lang 82	
Rev Ind	Revision	Reg No	7411	<b>ABB</b> ABB Network Partner AB		<b>1MRK 001 038-HA</b>	
Based on		Pcl	890,411				
						Cont	