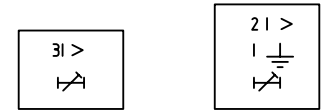
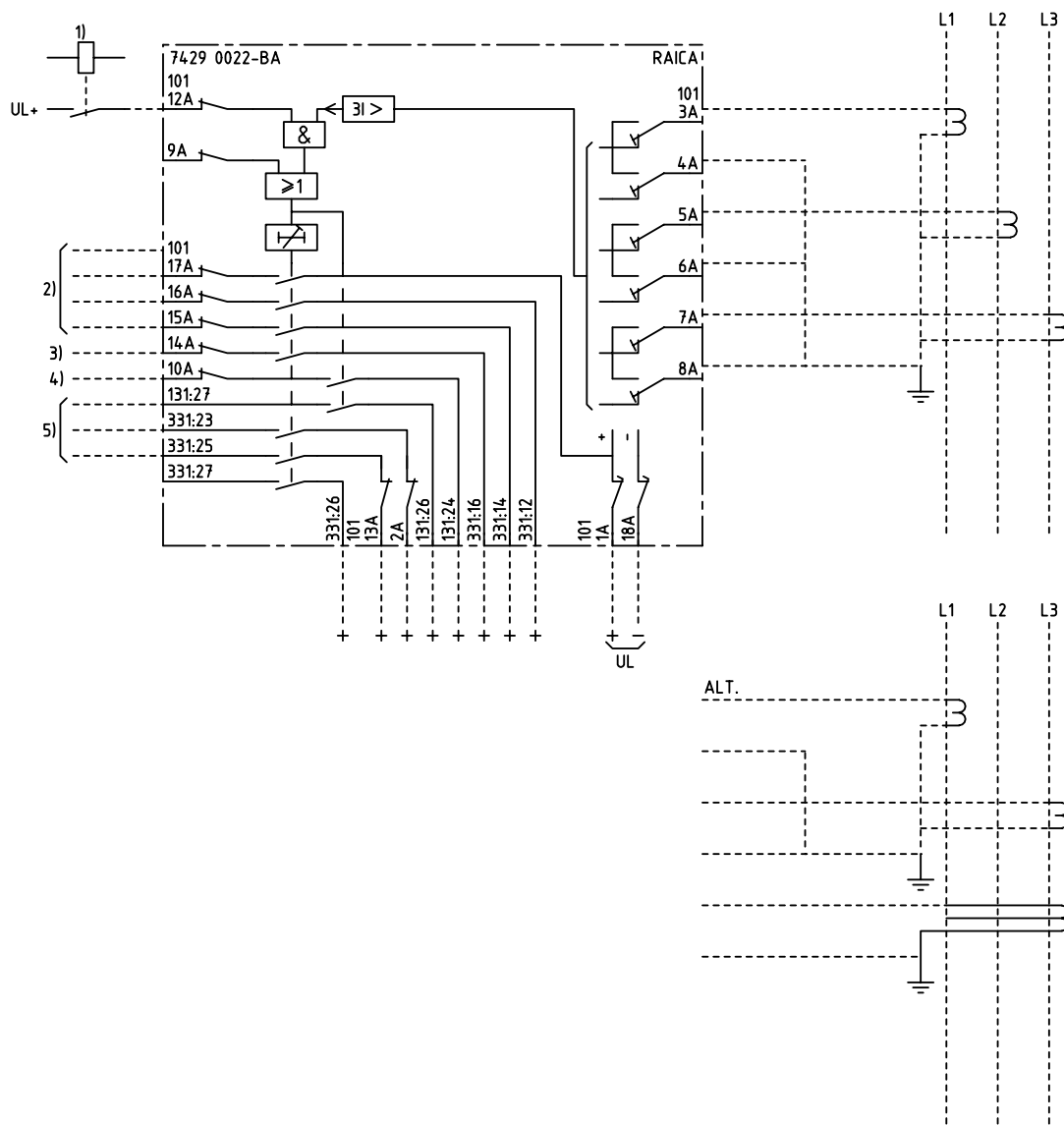


We reserve all rights in this document and in the information contained therein. Reproduction, use for other than intended purposes, without the written consent of ABB Network Partner AB is strictly forbidden.



BREAKER FAILURE PROTECTION WITH  
 CURRENT DETECTORS IN 3 PHASES  
 OR IN 2-PHASES + EARTH  
 BRYTARFELSSKYDD MED STRÖMRELÄER  
 I 3 FASER ELLER I 2 FASER + JORD

- 1) TRIP RELAY IN ANOTHER PROTECTION  
UTLÖSNINGSRELÄ I ANNAT SKYDD
- 2) TRIPPING OF BACK-UP CIRCUIT BREAKERS  
UTLÖSNING AV RESERVBYRTARE
- 3) TRIPPING OF PRIMARY CIRCUIT BREAKERS  
UTLÖSNING AV PRIMÄRBRYRTARE
- 4) EVENT RECORDING  
HÄNDELSEREGISTRERING
- 5) ALARM ETC.  
SIGNAL M.M

ELCAD ID TPTD/render

DATE 2004-06-2121:42

Issued in ARCADE

Prepared 87.46 C-H EINVALL		TERMINAL DIAGRAM/UTTAGSSCHEMA	
Approved 87.46 Peter Jenøker		RAICA BREAKER FAILURE PROTECTION	
		BRYTARFELSSKYDD	
Rev Ind	Revision	Reg No 7429	Resp dep TPTD
Based on	Pct 890.651		Rev Ind 1 96.45
		Lang 82	
		Sheet 1	
		Cont	

**ABB** ABB Network Partner AB

**7429 0022-BAA**