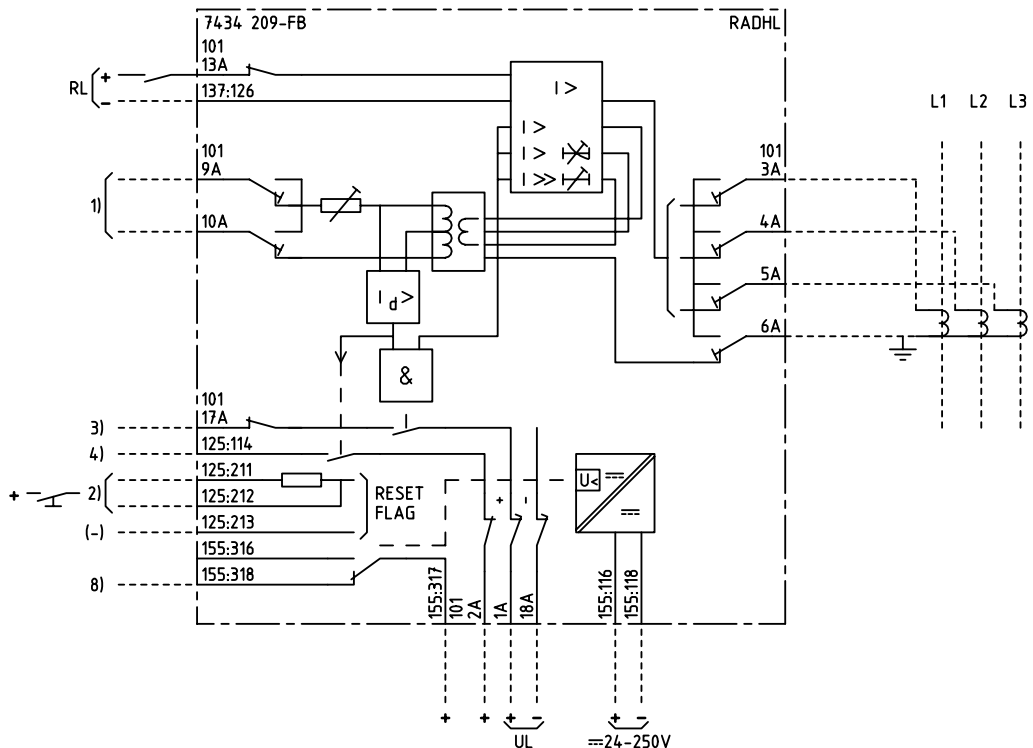


We reserve all rights in this document and in the information contained therein. Reproduction, use for other than intended purposes, or distribution without the written consent of ABB Network Partner AB is strictly forbidden.



Id >

- 1) PILOT-WIRES/HJÄLPTRÅDAR
- 2) RESETTNG  
 AT 110-250V DC CONNECT TO 211  
 AT 24-55V DC CONNECT TO 212  
 ÅTERSTÄLLNING  
 VID 110-250V DC ANSLUT TILL 211  
 VID 24-55V DC ANSLUT TILL 212
- 3) TRIPPING ETC./UTLÖSNING M.M.
- 4) ALARM ETC./SIGNAL M.M.
- 7) ENABLE, BLOCK OR INCREASED OP. VALUE  
 FRIGIVNING, BLOCKERING ELLER ÖKAT  
 FUNKTIONSVÄRDE
- 8) LOSS OF AUXILIARY VOLTAGE  
 BORTFALL AV HJÄLPSPÄNNING

ELCAD ID PS/render

DATE 2004-06-223:34

Issued in ARCADE

		Prepared 97-09-05	N BRANDT/ACW	TERMINAL DIAGRAM/UTTAGSSCHEMA			
		Approved 97-10-13	P JENÄKER	RADHL DIFFERENTIAL PROTECTION			
				RADHL DIFFERENTIALSKYDD		Resp dep PS	Rev ind 0
Rev Ind	Revision	Reg No 7434	<b>ABB</b> ABB Network Partner AB		<b>7434 209-FBA</b>		Lang 82
Based on	Pcl 890.612						Sheet 1
						Cont	