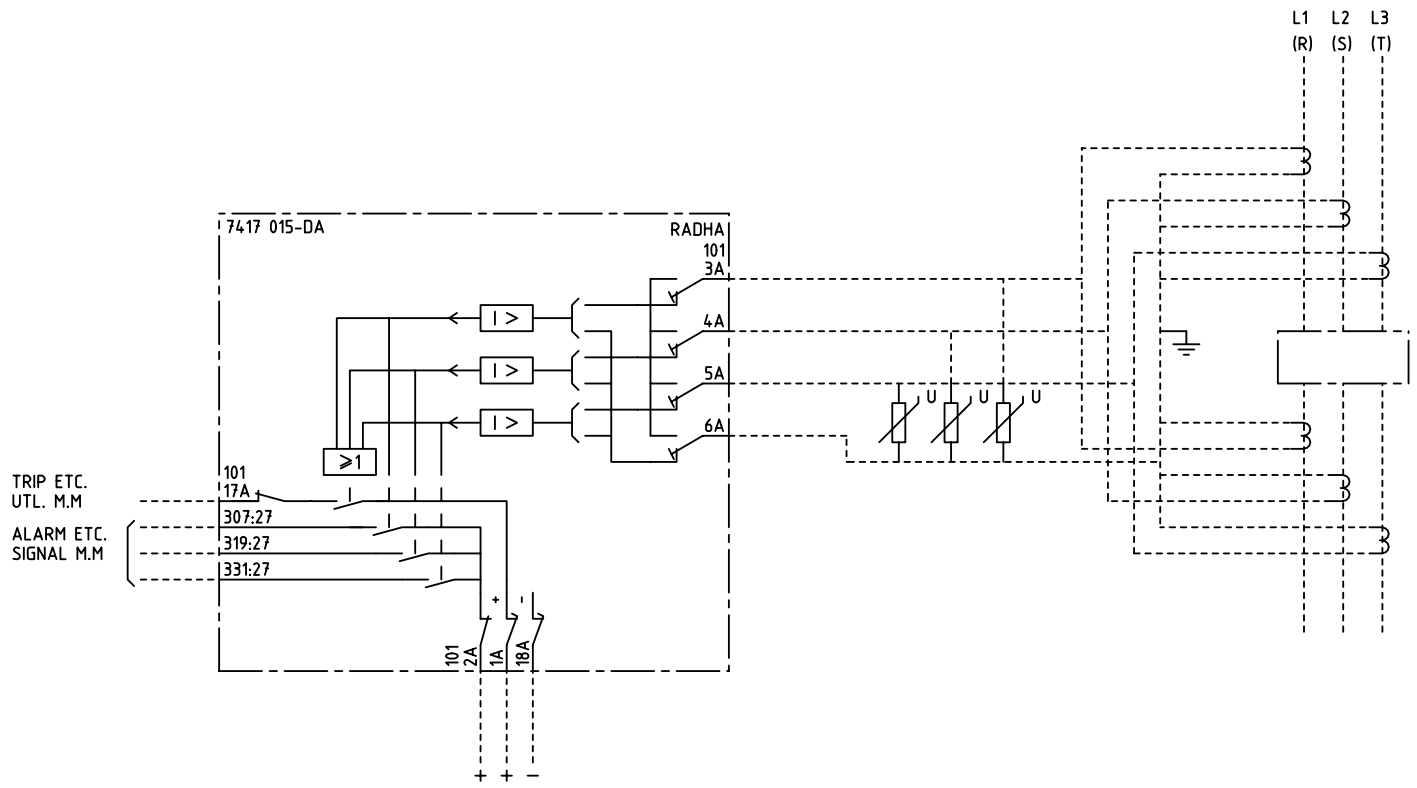


We reserve all rights in this document and in the information contained therein. Reproduction, use for other than intended purposes, or distribution without the written consent of ABB Network Partner AB is strictly forbidden.

3 I<sub>d</sub> >

3-PHASE HIGH-IMPEDANCE DIFFERENTIAL PROTECTION FOR U<sub>s</sub> =10/15V  
 3-FAS HÖGIMPEDANS DIFFERENTIALSKYDD FÖR U<sub>s</sub> =10/15V



ELCAD ID PAT/render

DATE 2004-06-225:36

Issued in ARCADE

Prepared 81.27 R ÖSTLUND		TERMINAL DIAGRAM/UTTAGSSCHEMA		Resp dep PAT		Rev ind 3 96.45		Lang 82	
Approved 81.27 P JENÄKER		RADHA DIFFERENTIAL PROTECTION		7417 015-DAA		Sheet 1			
Rev Ind Revision		Reg No 7417		ABB ABB Network Partner AB		Cont			
Based on		Pcl 890.646							

1

2

3

4

5

6