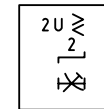
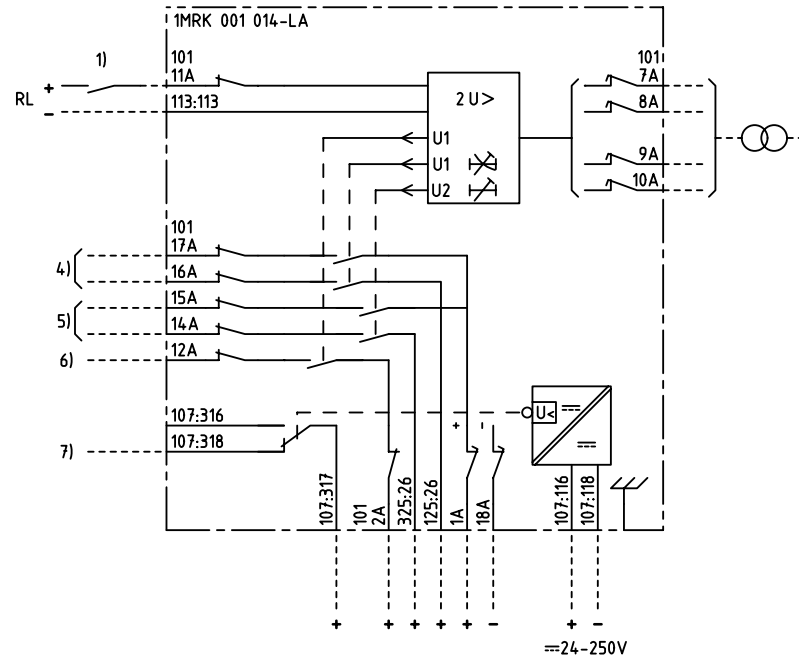


We reserve all rights in this document and in the information contained therein. Reproduction, use for other than intended purposes, or distribution without the written permission of ABB Network Partner AB is strictly forbidden.



2-PHASE OVER/UNDERVOLTAGE PROTECTION  
2-FAS SPÄNNINGSSTEGRINGS- /UNDERSPÄNNINGS-  
SKYDD

- 1) RESETTING OF INDICATION  
ÅTERSTÄLLNING AV INDIKERING
- 4) TRIPPING STAGE 1  
UTLÖSNING STEG 1
- 5) TRIPPING STAGE 2  
UTLÖSNING STEG 2
- 6) START STAGE 1  
START STEG 1
- 7) LOSS OF AUXILIARY VOLTAGE  
BORTFALL AV HJÄLPSPÄNNING

ELCAD ID TPTD/render

DATE 2004-06-234:45

Issued in ARCADE

Prepared 96-06-17 H RAZA/J ERIKSSON		TERMINAL DIAGRAM/UTTAGSSCHEMA			
Approved 96-07-02 Peter Jenøker		RAEDK 2 VOLTAGE PROTECTION			
		RAEDK 2 SPÄNNINGSSKYDD		Resp dep TPTD Rev ind -	
Rev Ind	Revision	Reg No 7411	<b>ABB</b> ABB Network Partner AB		Lang en
Based on	Pcl 890,461				1MRK 001 014-LAA
					Cont