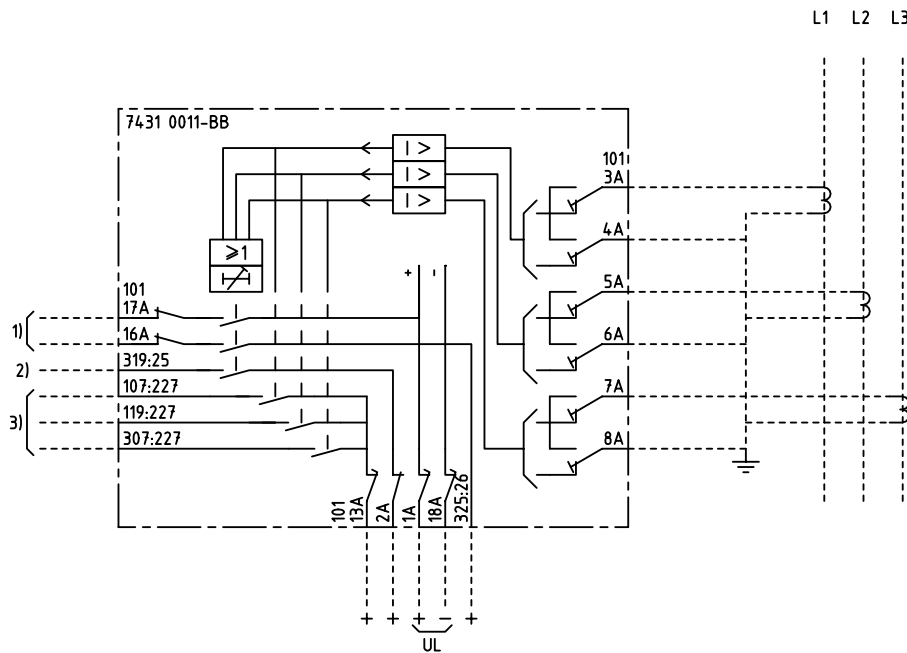


We reserve all rights in this document and in the information contained therein. Reproduction, use for other purposes or distribution without the written consent of ABB Network Partner AB is strictly forbidden.



3-PHASE OVERCURRENT
 PROTECTION, DELAYED
 3-FAS ÖVERSTRÖMSSKYDD,
 FÖRDRÖJT

- 1) TRIPPING ETC.
UTLÖSNING M.M.
- 2) ALARM ETC.
SIGNAL M.M.
- 3) BLOCK, INDICATING, ETC.
BLOCK, INDIKERING, M.M.

ELCAD ID PAT/render

DATE 2004-06-2222:22

Issued in ARCADE

Prepared 81 28		C-H EINVALL		TERMINAL DIAGRAM/UTTAGSSCHEMA			
Approved 81 28		P JENÄKER		3-PHASE OVERCURRENT PROTECTION			
				3-FAS ÖVERSTRÖMSSKYDD		Resp dep PAT	
Rev Ind		Revision		Reg No 7431		Rev ind 2 96 45	
Based on		Pcl 890.651		Lang 82		Sheet 1	
				ABB Network Partner AB		7431 0011-BBA	
				Cont			