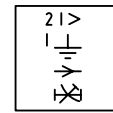
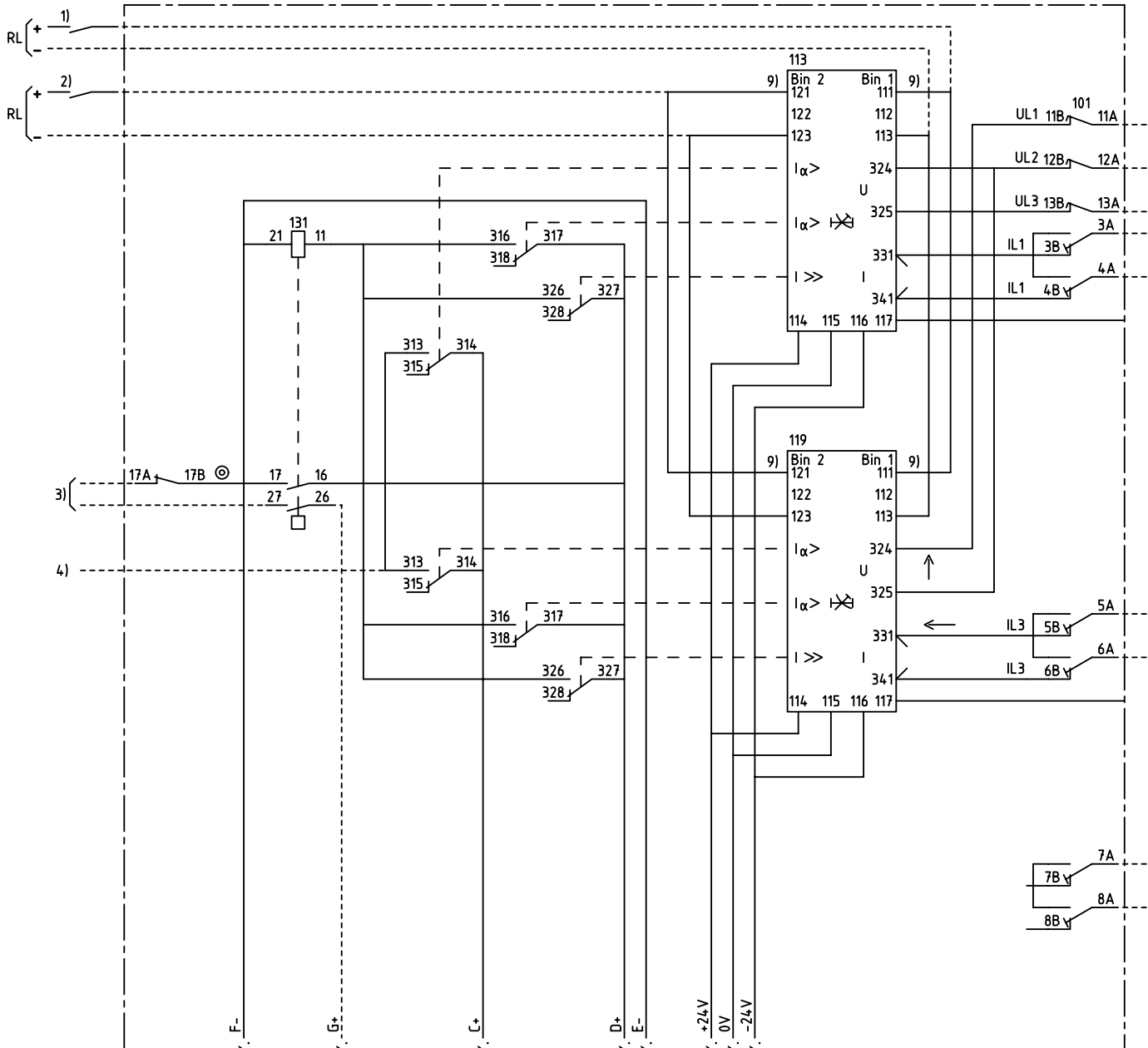


We reserve all rights in this document and in the information contained therein. Reproduction, use or distribution of this document or the information it contains is strictly forbidden. © ABB Automation Technologies AB



DIRECTIONAL 2-PHASE OVERCURRENT AND EARTH FAULT PROTECTION, DELAYED
RIKTAT 2-FAS ÖVERSTRÖMS- OCH JORDFELSSKYDD, FÖRDRÖJT

36C					
101	107	113	119	125	131
					331
4U					

101	RTXP 18
107	RXTUG 22H
113, 119	RXPDK 21H
125	RXPDK 23H
131, 331	RXME 1

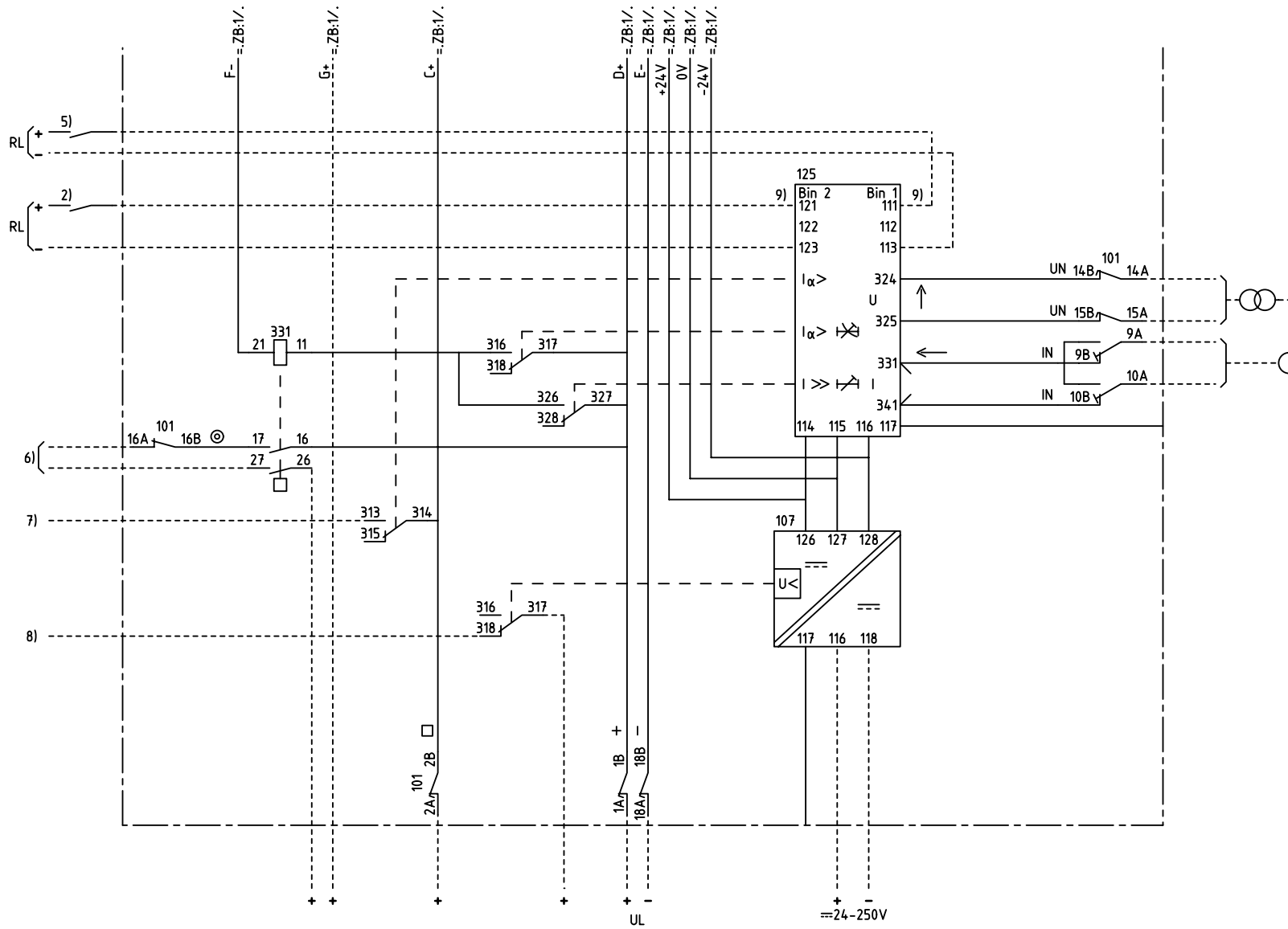
- 1) BLOCKING OF THE FUNCTION $I_{\alpha} >$ I
BLOCKERING AV FUNKTIONEN $I_{\alpha} >$ I
- 2) RESETTING OF INDICATION
ÅTERSTÄLLNING AV INDIKERING
- 3) DIR. OVERCURRENT/OVERCURRENT, TRIPPING
RIKTAD ÖVERSTRÖM/ÖVERSTRÖM, UTLÖSNING
- 4) DIRECTIONAL OVERCURRENT, START
RIKTAD ÖVERSTRÖM, START
- 5) BLOCKING/ENABLING ONLY OF $I_{\alpha} >$ AND $I >$
BLOCKERING/FRIGIVNING ENDAST AV $I_{\alpha} >$ OCH $I >$
- 6) EARTH FAULT, TRIPPING
JORDFEL, UTLÖSNING
- 7) EARTH FAULT, START
JORDFEL, START
- 8) LOSS OF AUXILIARY VOLTAGE
BORTFALL AV HJÄLPSPÄNNING
- 9) CONNECTED FOR RL=110-220V DC
CHANGE FROM 111 TO 112 AND 121 TO 122 AT RL=48-60V DC
KOPPLAD FÖR RL=110-220V DC
ÄNDRA FRÅN 111 TILL 112 OCH 121 TILL 122 VID RL=48-60V DC

1MRK 001 091-ZB

Customer drw no	PTUA/ TPTD H Raza/JE	1999-03-29	Circuit Diagram Dir. O/C and E/F prot.	Cont. sh/ No of sh 2
	PTUA/ Roger Karlsson	1999-06-01		
Resp. dept	PTUA/ TPTD		Document number	Lang.
			1MRK001092-ZB	82
Based on	ABB ABB Automation Technologies		Rev.	Sheet
			-	1

Document status: Approved

We reserve all rights in this document and in the information contained therein. Reproduction, use for other than intended purposes, or distribution without the written permission of ABB Automation Technologies AB is strictly forbidden. © ABB Automation Technologies AB



Customer drw no	Prep. PTUA/ TPTD H Raza/JE	1999-03-29	Circuit Diagram	Conf. sh/ No of sh
	Appr. PTUA/ Roger Karlsson	1999-06-01		
	Resp. dept PTUA/ TPTD		Document number	Lang.
Based on	ABB ABB Automation Technologies		1MRK001092-ZB	82
			Rev.	Sheet
			-	2

Document status: Approved