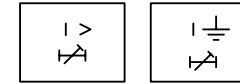
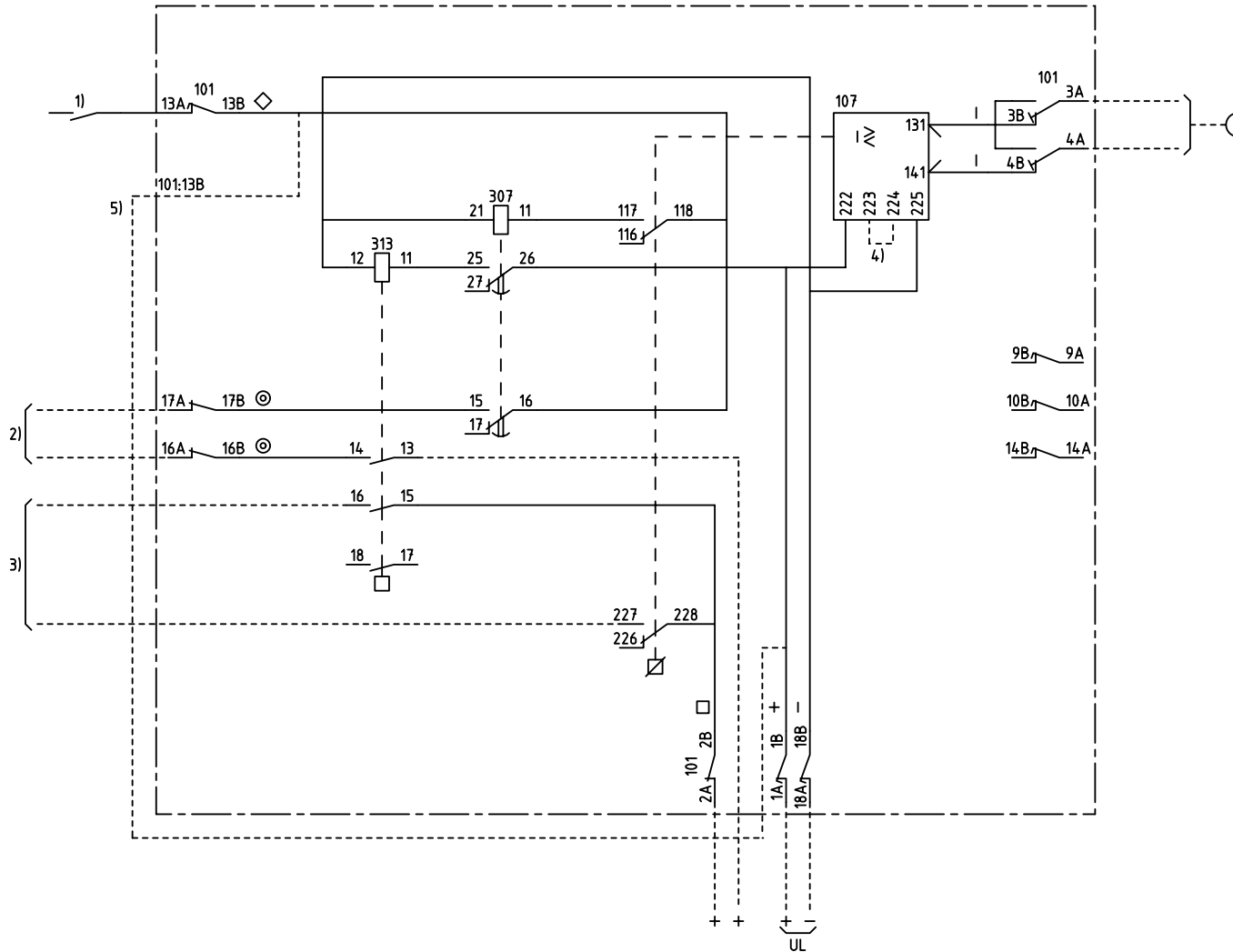
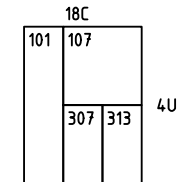


We reserve all rights in this document and in the information contained therein. Reproduction, use or distribution of this document without the written authority of ABB Network Partner AB is strictly forbidden.



EARTH-FAULT OR 1-PHASE  
 OVERCURRENT PROTECTION, DELAYED  
 JORDFELS- ELLER 1-FAS  
 ÖVERSTRÖMSSKYDD, FÖDRÖJT



101 RTXP 18  
 107 RXIG 2  
 307 RXXL 1  
 313 RXSF 1

- 1) ENABLING ETC  
FRIGIVNING M.M
- 2) TRIPPING ETC.  
UTLÖSNING M.M
- 3) ALARM ETC.  
SIGNAL M.M
- 4) 223-224 CONNECTED AT  
UL=—24 RESP. 110-125V  
223-224 FÖRBUNDNA VID RL  
UL=—24 RESP 110-125V
- 5) CONNECT 101:1B-101:13B WHEN  
ENABLING IS NOT REQUIRED  
FÖRBIND 101:1B-101:13B NÄR  
FRIGIVNING EJ ERFÖRDRAS

ELCAD ID TPTD/render

DATE 2004-06-224:13

RK 651 100-CB

Issued in ARCADE

Prepared 73.30 C-H EINVALL		CIRCUIT DIAGRAM/KRETSSHEMA	
Approved 73.30 Peter Jenøker		OVERCURRENT PROTECTION	
		ÖVERSTRÖMSSKYDD	
Rev Ind	Revision	Reg No 7432	Resp dep TPTD
Based on	Pcl 890.651		Rev Ind 10 96.45
		Lang 82	
		Sheet 1	
		Cont	

**ABB** ABB Network Partner AB

**7432 0001-CB**