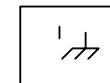
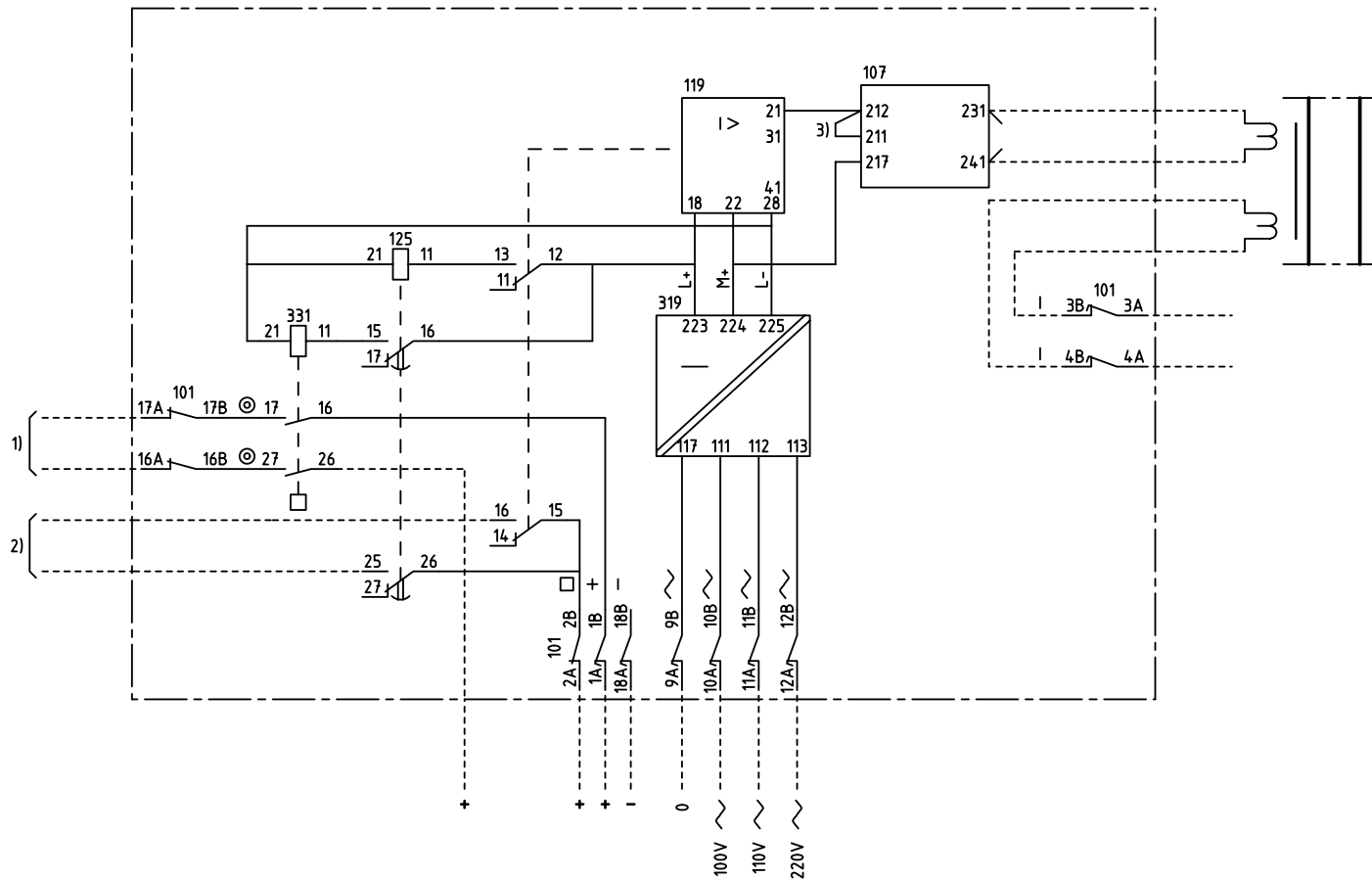


We reserve all rights in this document and in the information contained therein. Reproduction, use for other purposes or distribution without the written consent of ABB Network Partner AB is strictly forbidden.



101	107	119	125
		319	331

- 101 RTXP 18
- 107 RXTFB 4
- 119 RXIK 1
- 125 RXKL 1
- 319 RXTUB 2
- 331 RXME 18

1) TRIPPING OF CB:S ETC.
UTLÖSNING AV BRYTARE M.M.

2) ALARM ETC.
SIGNAL M.M.

3) TO BE REMOVED IF DECREASED
SENSITIVITY IS REQUIRED

AVLÄGSNAS OM MINSKAD KÄNSLIGHET
ÖNSKAS

ELCAD ID TPTD/render

DATE 2004-06-220:06

RK 649 101-FC

Prepared 95-11-13 C-H EINVALL/J ERIKSSON		CIRCUIT DIAGRAM/KRETSSCHEMA	
Approved 96-06-11 Peter Jenøker		RARIC SHAFT CURRENT PROTECTION	
		RARIC LAGERSTRÖMSSKYDD	
Rev Ind	Revision	Reg No 7429	
Based on	Pcl 890 649		
		Resp dep TPTD Rev ind - Lang 82	
		Sheet 1	
		Cont	

ABB ABB Network Partner AB

7429 010-FC