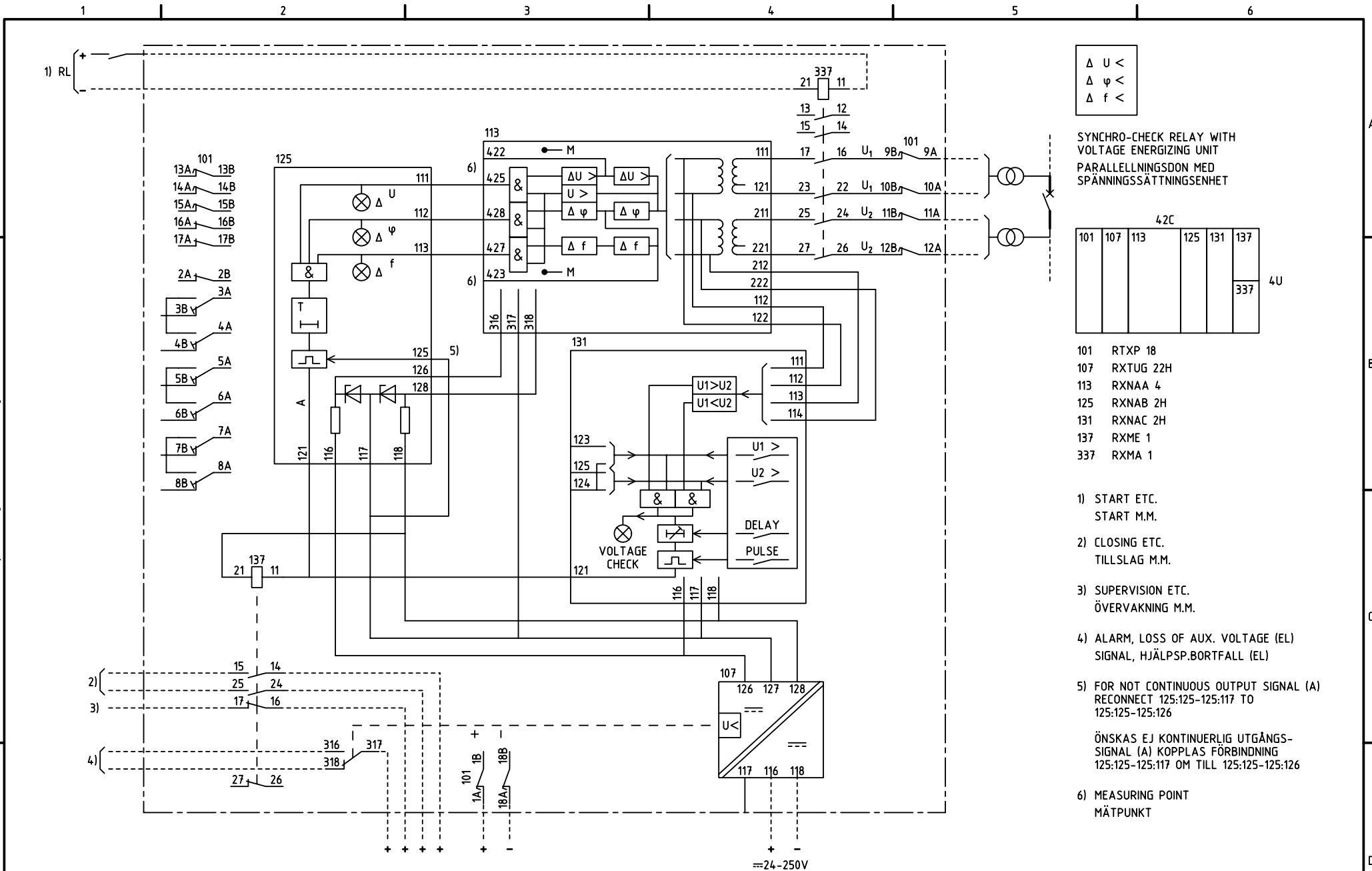


We reserve all rights in this document and in the information contained therein. Reproduction, use for other than intended purposes, or distribution without the written permission of ABB Automation Technologies AB is strictly forbidden.



$\Delta U <$
 $\Delta \varphi <$
 $\Delta f <$

SYNCHRO-CHECK RELAY WITH
 VOLTAGE ENERGIZING UNIT
 PARALLELLINGSDON MED
 SPÄNNINGSÄTTNINGSENHET

42C					
101	107	113	125	131	137
					337
					4U

- 101 RTXP 18
- 107 RXTUG 22H
- 113 RXNAA 4
- 125 RXNAB 2H
- 131 RXNAC 2H
- 137 RXME 1
- 337 RXMA 1

- 1) START ETC.
START M.M.
- 2) CLOSING ETC.
TILLSLAG M.M.
- 3) SUPERVISION ETC.
ÖVERVAKNING M.M.
- 4) ALARM, LOSS OF AUX. VOLTAGE (EL)
SIGNAL, HJÄLPSP.BORTFALL (EL)
- 5) FOR NOT CONTINUOUS OUTPUT SIGNAL (A)
RECONNECT 125:125-125:117 TO
125:125-125:126

ÖNSKAS EJ KONTINUERLIG UTGÅNGS-
SIGNAL (A) KOPPLAS FÖRBINDNING
125:125-125:117 OM TILL 125:125-125:126
- 6) MEASURING POINT
MÄTPUNKT

RK 862 001-CC

Customer drw no	Prep. PTUA/ TPTD Eriksson Jill	2001-06-25	Circuit Diagram	Cont. sh/ No of sh	
	Appr. PTUA/ TATD Karlsson Roger	2001-06-29			SYNCHRO-CHECK RELAY
	Resp. dept PTUA/ TPTD				
Based on	ABB ABB Automation Technologies		Document number 5891047-GA	Lang. 82	
				Rev. B	
				Sheet 1	

Document status: Approved