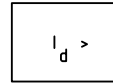
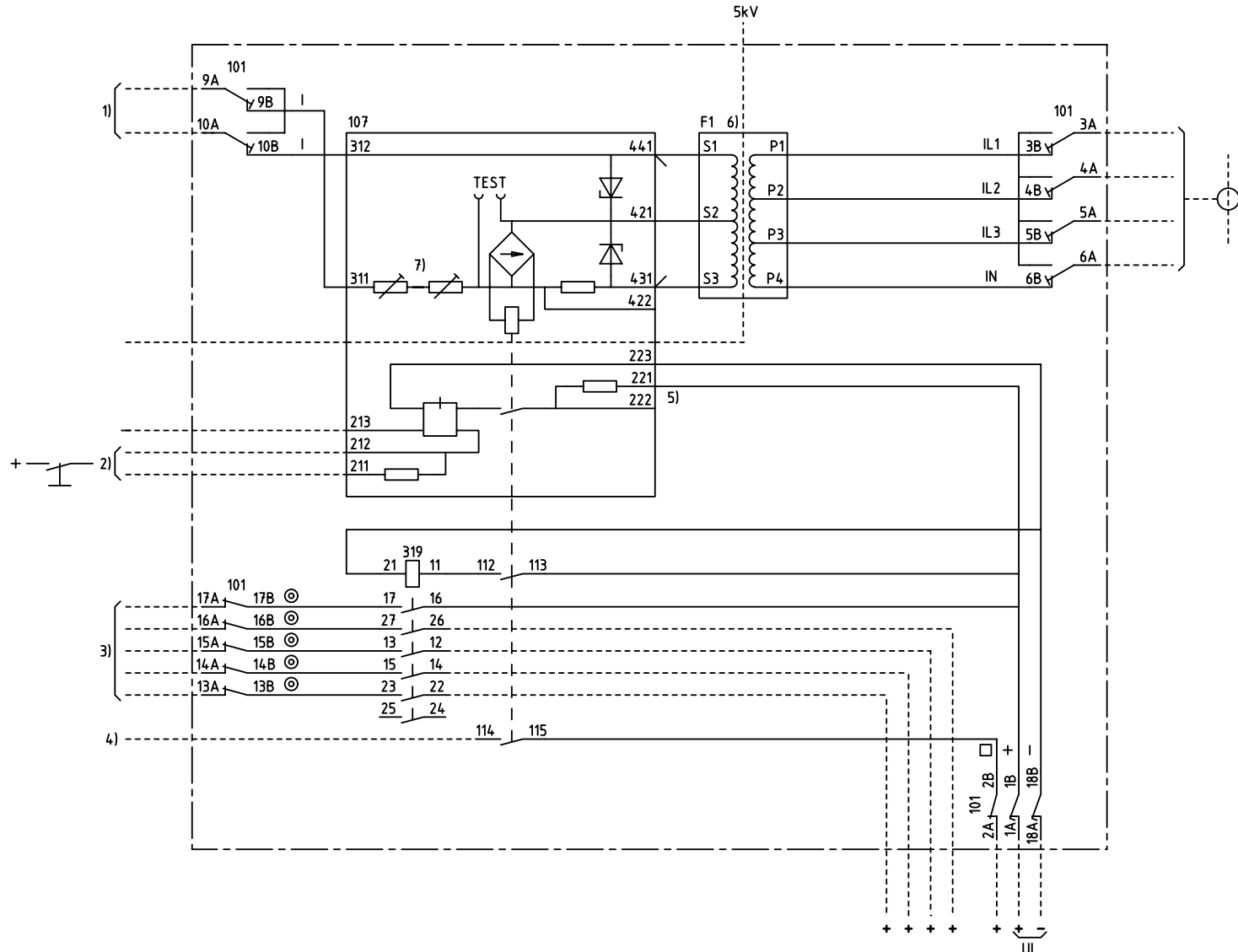
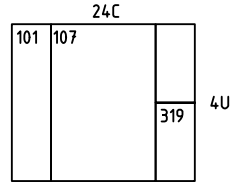


We reserve all rights in this document and in the information contained therein. Reproductions, use or disclosure of this document without the written consent of ABB Automation Technologies AB is strictly forbidden.



**PILOT-WIRE DIFFERENTIAL PROTECTION
LÄNGSDIFFERENTIALSKYDD**



- 101 RTXP 18
- 107 RXDHL 4
- 319 RXMS 1
- F1 SLCE 8 6)

- 1) PILOT-WIRES
HJÄLPTRÅDAR
- 2) RESETTING
AT 110-150 V DC CONNECT TO 211
AT 24-55 V DC CONNECT TO 212
ÅTERSTÄLLNING
VID 110-250 V DC ANSLUT TILL 211
VID 24-55 V DC ANSLUT TILL 212
- 3) TRIPPING ETC.
UTLÖSNING M.M.
- 4) ALARM ETC.
SIGNAL M.M.
- 5) CONNECTED FOR UL=110-250 V DC
CHANGED FROM 221 TO 222 AT
UL=24-55 V DC
KOPPLAD FÖR UL=110-250 V DC
ÄNDRA FRÅN 221 TILL 222 VID
UL=24-55 V DC
- 6) SEPARATELY MOUNTED
SEPARAT MONTERAD
- 7) DELIVERY SETTING 266 OHM
LEVERANSINSTÄLLNING 266 OHM

Customer drw no	Prep. PTUA/ TPTD Eriksson Jill 2000-10-31	RK 612 001-DA	Circuit Diagram	Cont. sh/ No of sh
	Appr. PTUA/ TATD Karlsson Roger 2000-11-08			
	Resp. dept PTUA/ TPTD	Document number	Lang.	Rev.
		7434209-DA	82	B
Based on	ABB ABB Automation Technologies			Sheet
				1

Document status: Approved