

CONNECTION AND SETTING GUIDE

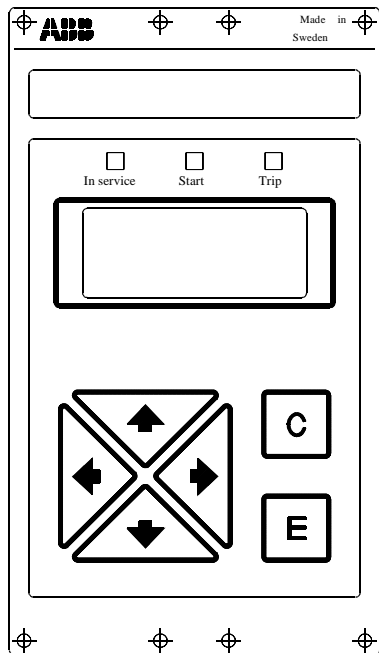


Fig. 1 Front layout

General

The available variants of the relay are:
 $I_r = 1A, I_r = 2A, I_r = 5A$

Connection

RXIIK 4 relay requires a DC-DC converter type RXTUG 22H for the auxiliary voltage supply $\pm 24V$. Connection of voltage RL shall be made only when the binary inputs are used.

The relay is delivered with 3 short-circuiting connectors RTXK for mounting on the rear of the terminal base. The connectors will automatically short-circuit the current input when the relay is removed from the terminal base

Note! The auxiliary voltage supply should be interrupted or the output circuits should be blocked to avoid the risk of unwanted alarm or tripping, before the relay is plugged into or withdrawn from its terminal.

Indications

LED indications: Green LED indicates In service
 Yellow LED indicates Start
 Red LED indicates Trip

Without removing the plastic cover the service values and indications can be checked by pushing the “C” button.

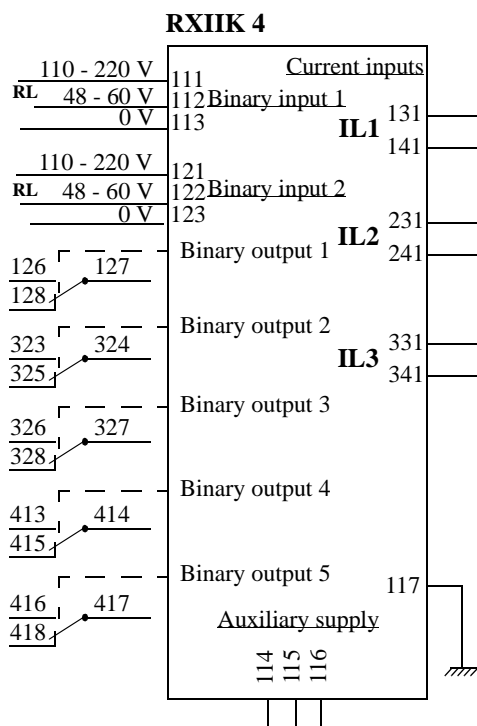


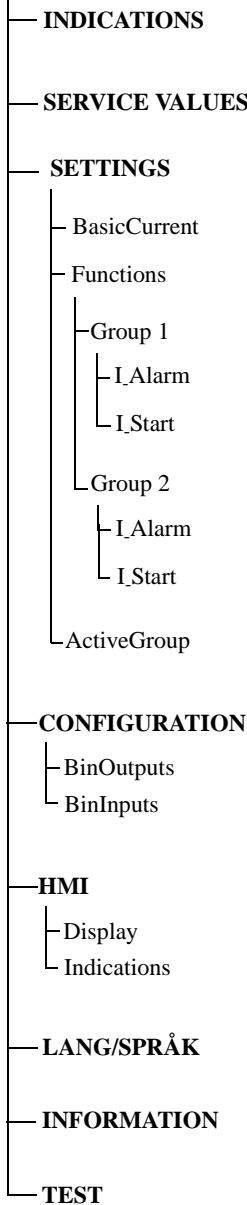
Fig. 2 Terminal diagram

Push-button functions:

- C button:** Move upwards in menu tree.
 Turn-off display at main menu.
- E button:** Confirm choices in menu.
 Move downwards in menu tree.
- ← Left arrow:** Move left in dialog boxes and editable menus.
 Move upwards in menu tree.
 Turn-off display at main menu.
- Right arrow:** Move right in dialog boxes and editable menus.
 Move downwards in menu tree.
- ↑ Up arrow:** Move upwards in specific menu.
 Increase editable values.
 Toggle choice in dialog box and configuration.
- ↓ Down arrow:** Move downwards in specific menu.
 Decrease editable values.
 Toggle choice in dialog box and configuration.

MAIN MENU

RXIIK4



Main menu

Indications: The menu provides information about the recorded events.

Squares unfilled: No recorded events (since last clearing).

Squares filled grey: Previous recorded event.

Squares filled: Latest recorded event.

Recorded events can be cleared by pressing and holding down the “C” button for 2 seconds.

Service values: This menu provides information of the operating conditions.

Settings: Under this is menu you set operate levels, time delays and active group.

BasicCurrent: Setting of the machine rated current.

Functions: Two groups of settings.

Group1: Setting of the operating levels, times, etc.

Group2: Setting of the operating levels, times, etc.

ActiveGroup: Selection of the active group.

Configuration: Under this menu you configure the I/O signals.

BinaryOutputs: Selection of the different output function for the different binary outputs (relays) 1-5. A mark indicates the selection of the binary output functions.

BinaryInputs: Selection of the functions for the binary inputs 1 and 2.

HMI: Under this menu you select the outlook of the display.

Display: Select contrast level and the display to turn-off automatically or not.

Indications: Select LED’s to Latch or Unlatch.

Lang/Språk: In this menu you select language, English/Swedish.

Information: In this menu you retrieve information of the relay, type, variant, etc.

Test: In this menu you test the I/O signals before installation.

BinOut: Triggering of 1-5 output relays can be verified by pressing “E”.

BinIn: Filled square when the binary input (RL voltage) is energized.

Saving dialogue: Appears when you are going upwards in the menu tree from a menu which consist editable values.

YES: Confirm the last setting(s) and exit.

NO: Confirm the previous setting(s) without any changes and exit.

CANCEL: Returns to the last setting(s) or to the last menu.

Binary output: Selectable functions for the output relays through the HMI: I_Alarm, I_Start, I_Trip, Block, Alternative setting and In service.

Binary input 1 and 2: Selectable functions for the binary inputs through the HMI: Block or Enable I_Alarm, I_Start and I_Trip, Alternative setting, Reset of LED’s and of internal heat counter.

ESD

The relay contains electronic circuits which can be damaged if exposed to static electricity.

Always avoid to touch the circuit board when the plastic relay cover is removed during the setting procedure.