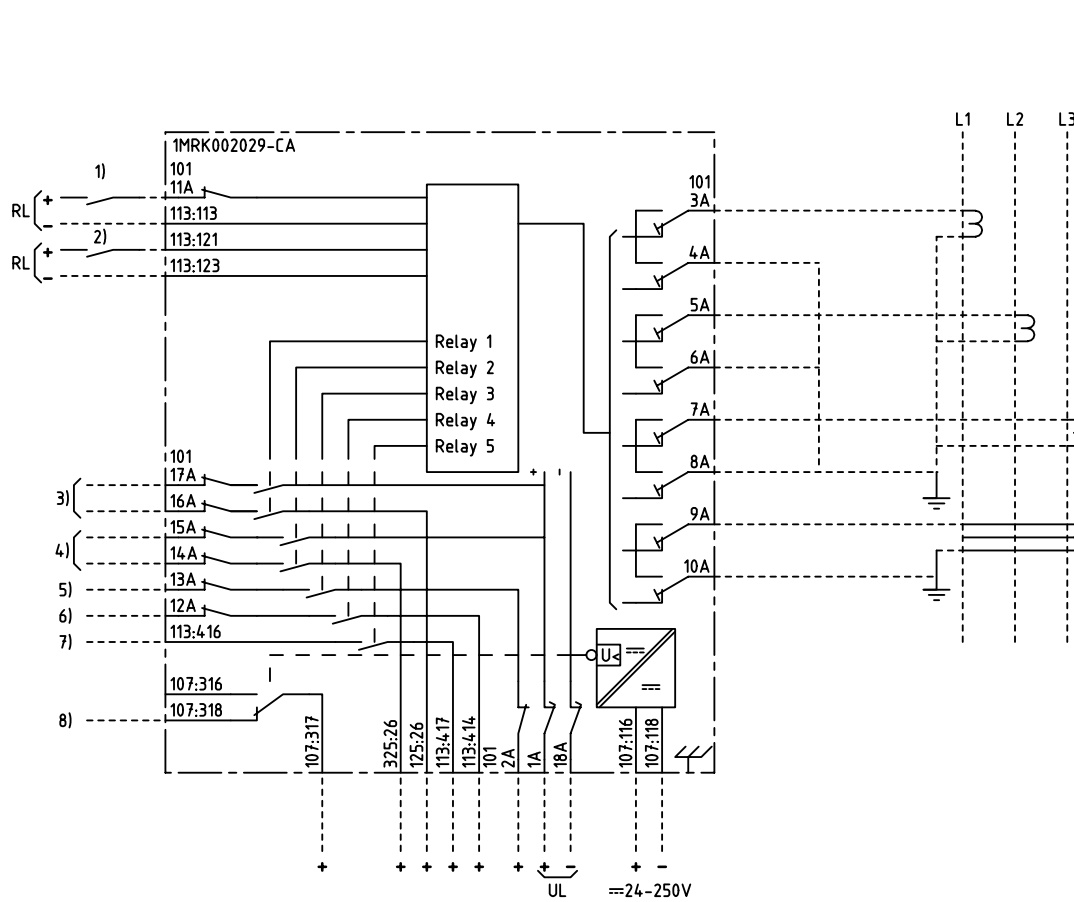


We reserve all rights in this document and in the information contained therein. Reproduction, use or distribution of this document without the written permission of ABB Automation Technologies AB is strictly forbidden.

MULTI-FUNCTION BREAKER FAILURE PROTECTION



30C			
101	107	113	125
			325
4U			

- 101 RXP 18
- 107 RXTUG 22H
- 113 RXHB 411
- 125,325 RXME 18

- 1), 2) BINARY INPUT, PROGRAMMABLE
- 3)-7) RELAY OUTPUTS 1-5, PROGRAMMABLE FUNCTION
- 8) LOSS OF AUXILIARY VOLTAGE

PROGRAMMABLE FUNCTIONS FOR BINARY INPUTS:
 BREAKER FAILURE EXTERNAL START SIGNAL: IL1, IL2, IL3, 3-PHASE,
 UNCONDITIONAL BREAKER FAILURE, CIRCUIT-BREAKER FAILURE;
 BLOCKING BREAKER FAILURE AND POLE DISAGREEMENT; STORE
 ACTUAL CURRENTS; RESET OF LED INDICATION.

PROGRAMMABLE FUNCTIONS FOR BINARY OUTPUTS:
 RETRIP SIGNAL IL1, IL2, IL3, 3-PHASE; BACK-UP TRIP 1 SIGNAL;
 BACK-UP TRIP 2 SIGNAL, POLE DISAGREEMENT START AND TRIP;
 IN SERVICE

BINARY INPUT OPTIONS:
 BLOCKING/ENABLING I>, I>>, IN>, IN>>;

BINARY OUTPUT OPTIONS:
 START AND TRIP IL1>, IL2>, IL3>, IL1>>, IL2>>, IL3>>, MULTI-PHASE I>,
 MULTI-PHASE I>>, IN>, IN>>.

Customer drw no	Prep. PTUA/ TPTD Eriksson Jill 2001-01-04	Connection Diagram		Conf. sh/ No of sh
	Appr. PTUA/ TATD Karlsson Roger 2001-01-11	Multi-function breaker failure protection		
	Resp. dept PTUA/ TPTD	Document number	Lang.	Rev.
Based on	ABB ABB Automation Technologies	1MRK002029-CAA	en	-
				Sheet 1

Document status: Approved