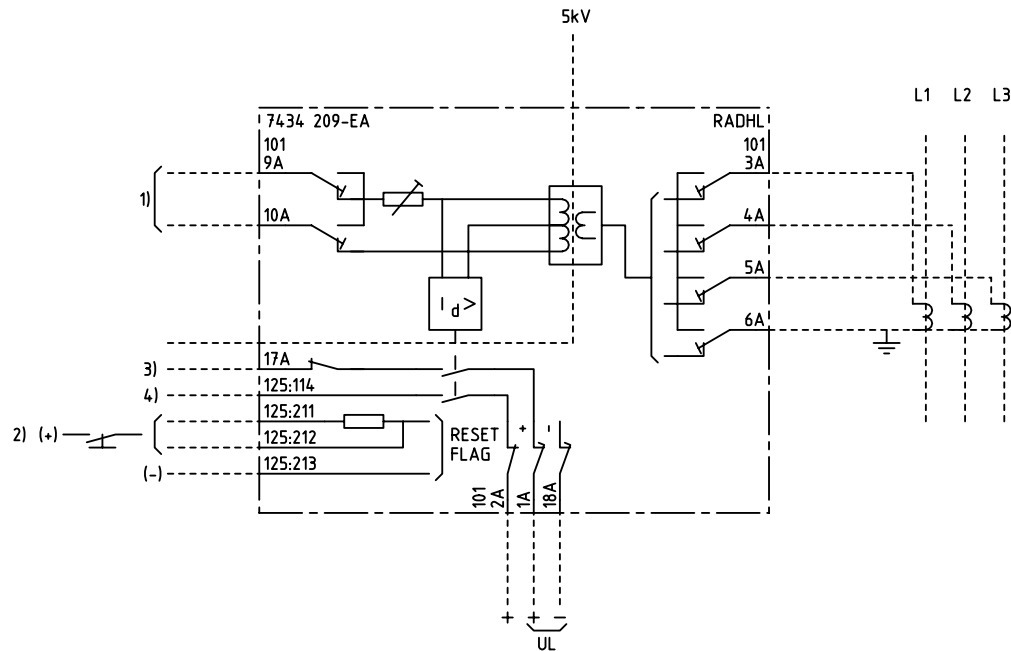


We reserve all rights in this document and in the information contained therein. Reproduction, use for other than intended purposes, or distribution without the written consent of ABB Network Partner AB is strictly forbidden.



PILOT-WIRE DIFFERENTIAL PROTECTION
LÄNGSDIFFERENTIALSKYDD

- 1) PILOT-WIRES
HJÄLPTRÄDAR
- 2) RESETTING
AT 110-250V CONNECT TO 211
AT 24-55V CONNECT TO 212
ÅTERSTÄLLNING
VID 110-250V ANSLUT TILL 211
VID 24-55V ANSLUT TILL 212
- 3) TRIPPING ETC.
UTLÖSNING M.M
- 4) ALARM ETC.
SIGNAL M.M

ELCAD ID PAT/render

DATE 2004-06-2219:19

Issued in ARCADE

Prepared 80 22 N BRANDT		TERMINAL DIAGRAM/UTTAGSSCHEMA	
Approved 80 22 P JENÄKER		RADHL DIFFERENTIAL PROTECTION	
		RADHL DIFFERENTIALSKYDD	
Rev Ind	Revision	Reg No 7434	Resp dep PAT
Based on	Pcl 890.612		Rev Ind 3 96 45
		Lang 82	
		Sheet 1	
		Cont	

ABB ABB Network Partner AB

7434 209-EAA