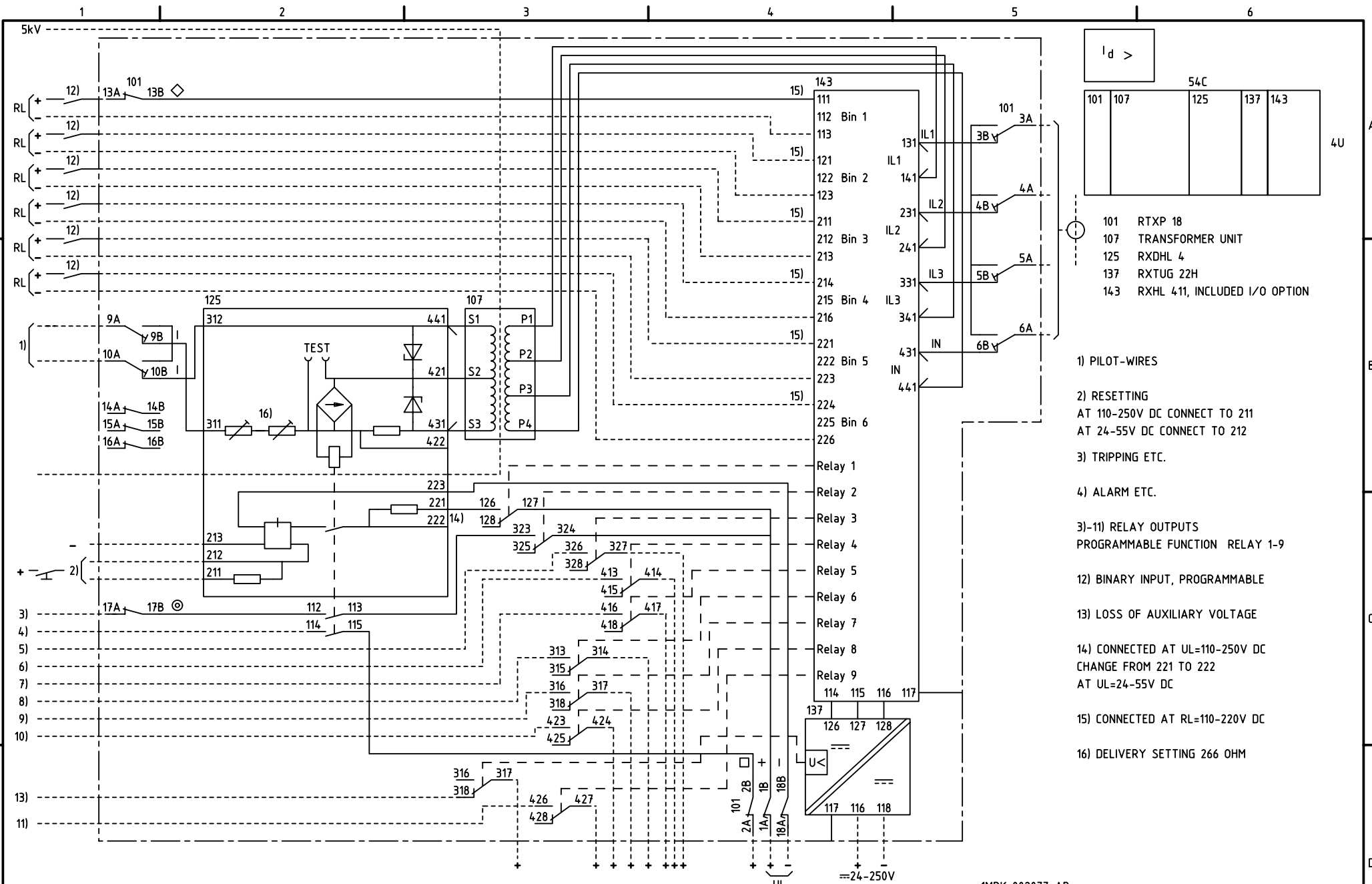


We reserve all rights in this document and in the information contained therein. Reproductions, use or distribution of this document without the written permission of ABB Automation Technologies AB is strictly forbidden.



Id >			
54C			
101	107	125	137 143
4U			

101 RTXP 18  
 107 TRANSFORMER UNIT  
 125 RXDHL 4  
 137 RXTUG 22H  
 143 RXHL 4.11, INCLUDED I/O OPTION

- 1) PILOT-WIRES
- 2) RESETTING  
AT 110-250V DC CONNECT TO 111  
AT 24-55V DC CONNECT TO 212
- 3) TRIPPING ETC.
- 4) ALARM ETC.
- 3)-11) RELAY OUTPUTS  
PROGRAMMABLE FUNCTION RELAY 1-9
- 12) BINARY INPUT, PROGRAMMABLE
- 13) LOSS OF AUXILIARY VOLTAGE
- 14) CONNECTED AT UL=110-250V DC  
CHANGE FROM 221 TO 222  
AT UL=24-55V DC
- 15) CONNECTED AT RL=110-220V DC
- 16) DELIVERY SETTING 266 OHM

Customer drw no	Prep. PTUA/ TPTD Eriksson Jill	2002-08-30	1MRK 002077-AB	Cont. sh/ No of sh
	Appr. PTUA/ SA/DP Jonsson Patrik	2003-04-15	Circuit Diagram Differential protection	
	Resp. dept PTUA/ TPTD		Document number	Lang. en
			<b>1MRK002078-AB</b>	Rev. -
Based on	<b>ABB</b> ABB Automation Technologies		Sheet	1

Document status: Approved