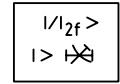
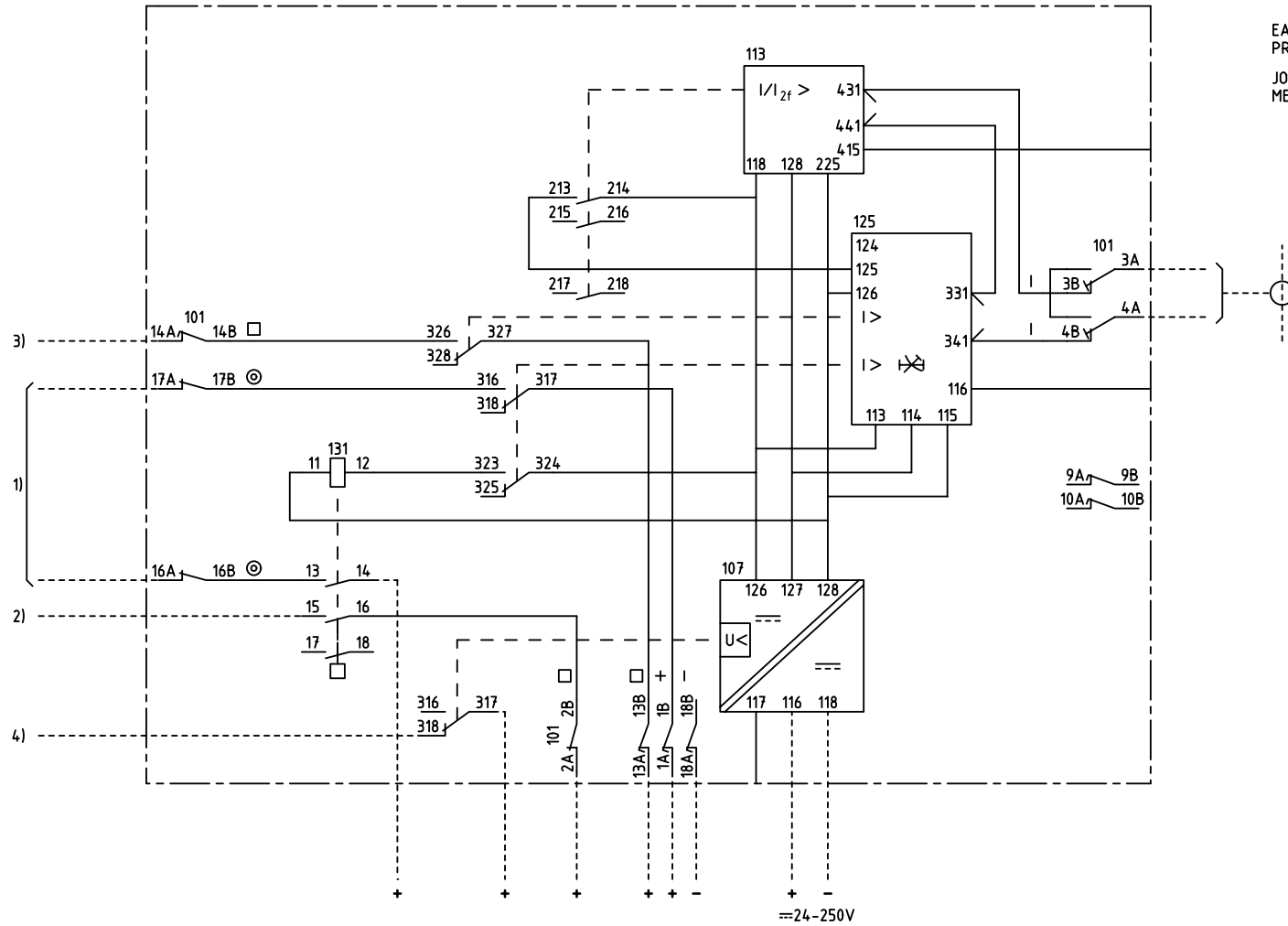
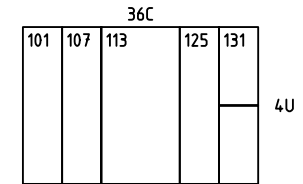


We reserve all rights in this document and in the information contained therein. Reproductions, use for other than the intended purpose or in any other way is strictly forbidden. © ABB Network Partner AB



EARTH-FAULT OR 1-PHASE OVERCURRENT PROTECTION WITH HARMONIC RESTRAINT
 JORDFELSSKYDD ELLER 1-FAS ÖVERSTRÖMSSKYDD MED ÖVERTONSSSTABILISERING



- 101 RTXP 18
- 107 RXTUG 22H
- 113 RXISB 4
- 125 RXIDG 21H
- 131 RXSF 1

- 1) TRIPPING ETC.
UTLÖSNING M.M.
- 2) ALARM ETC.
SIGNAL M.M.
- 3) START ETC.
START M.M.
- 4) LOSS OF AUXILIARY VOLTAGE
BORTFALL AV HJÄLPSPÄNNING

ELCAD ID PAT/render

DATE 2004-06-234:19

1MRK 000052-DA

Issued in ARCADE

Prepared	93.43	C-H EINVALL/J ERIKSSON
Approved	93.43	P JENÄKER
Rev Ind	Revision	Reg No 74.32
Based on	Pcl	890.652

1MRK 000052-DA
CIRCUIT DIAGRAM/KRETSSCHEMA
RAISB EARTH FAULT PROTECTION
JORDFELSSKYDD
ABB ABB Network Partner AB

Resp dep	PAT	Rev ind	2 96.45	Lang	82
1MRK 000 052-DB			Sheet	1	
			Cont		

1	2	3	4	5	6
---	---	---	---	---	---