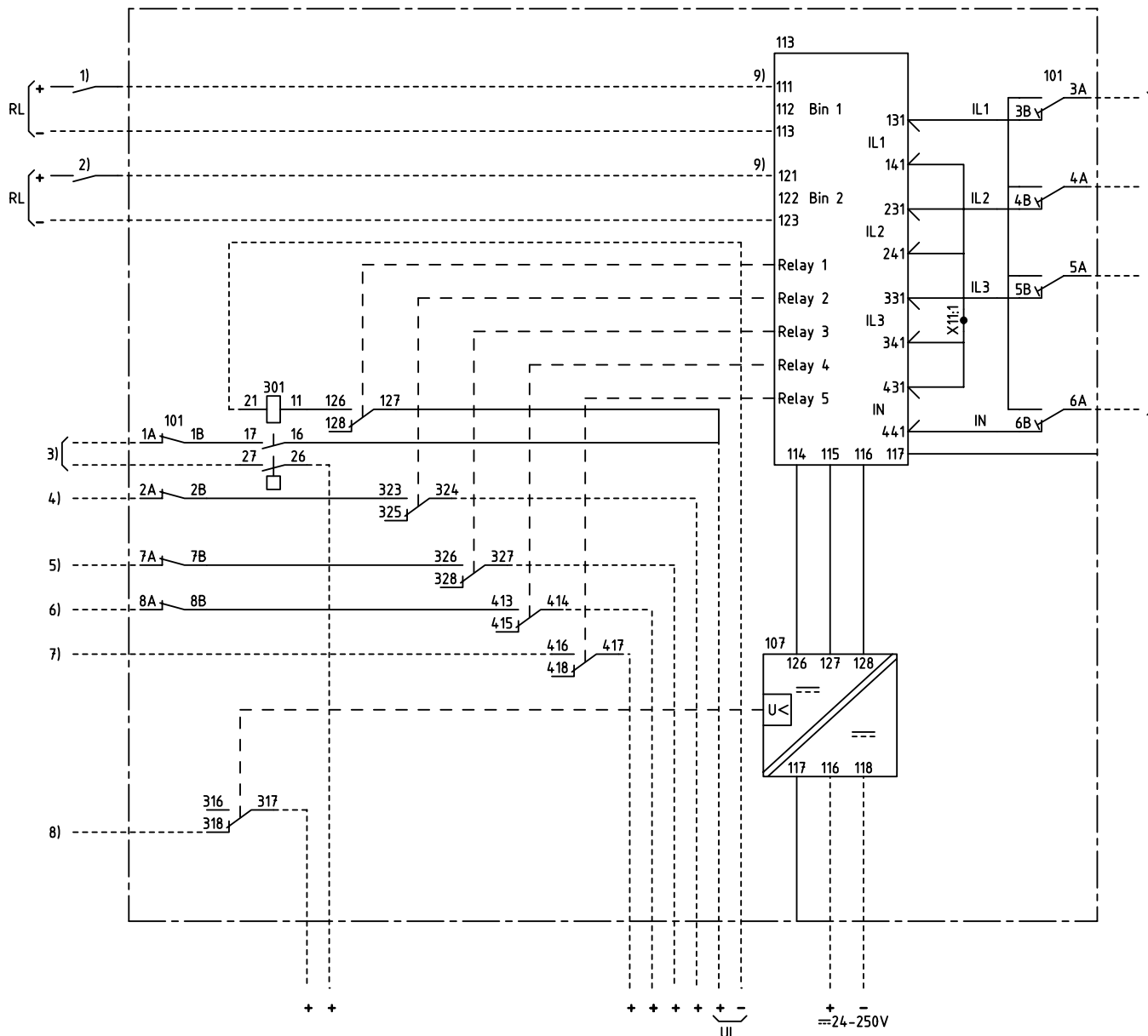
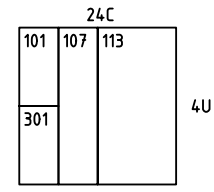


We reserve all rights in this document and in the information contained therein. Reproductions, use or distribution of this document without the written permission of ABB Automation Technologies AB is strictly forbidden.



MULTI-FUNCTION BREAKER FAILURE PROTECTION



- 101 RTXP 8
- 107 RXTUG 22H
- 113 RXHB 411
- 301 RXME 18

- 1), 2) BINARY INPUT, PROGRAMMABLE
- 3)-7) RELAY OUTPUTS 1-5, PROGRAMMABLE FUNCTION
- 8) LOSS OF AUXILIARY VOLTAGE
- 9) CONNECTED FOR RL=110-220V DC
CHANGE FROM 111 TO 112 AND 121 TO 122 AT RL=48-60V DC

PROGRAMMABLE FUNCTIONS FOR BINARY INPUTS:
BREAKER FAILURE EXTERNAL START SIGNAL: IL1, IL2, IL3, 3-PHASE,
UNCONDITIONAL BREAKER FAILURE, CIRCUIT-BREAKER FAILURE;
BLOCKING BREAKER FAILURE AND POLE DISGREEMENT; STORE
ACTUAL CURRENTS; RESET OF LED INDICATION.

PROGRAMMABLE FUNCTIONS FOR BINARY OUTPUTS:
RETRIP SIGNAL IL1, IL2, IL3, 3-PHASE; BACK-UP TRIP 1 SIGNAL;
BACK-UP TRIP 2 SIGNAL, POLE DISGREEMENT START AND TRIP;
IN SERVICE

BINARY INPUT OPTIONS:
BLOCKING/ENABLING I>, I>>, IN>, IN>>;

BINARY OUTPUT OPTIONS:
START AND TRIP IL1>, IL2>, IL3>, IL1>>, IL2>>, IL3>>, MULTI-PHASE I>,
MULTI-PHASE I>>, IN>, IN>>.

Customer drw no	Prep. PTUA/ TPTD Eriksson Jill	2001-01-04	1MRK 002028-EA	Circuit Diagram	Cont. sh/ No of sh
	Appr. PTUA/ TATD Karlsson Roger	2001-01-11			
	Resp. dept PTUA/ TPTD		Document number	Lang.	Rev.
			1MRK002029-EA	en	-
Based on	ABB ABB Automation Technologies			Sheet	1

Document status: Approved