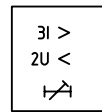
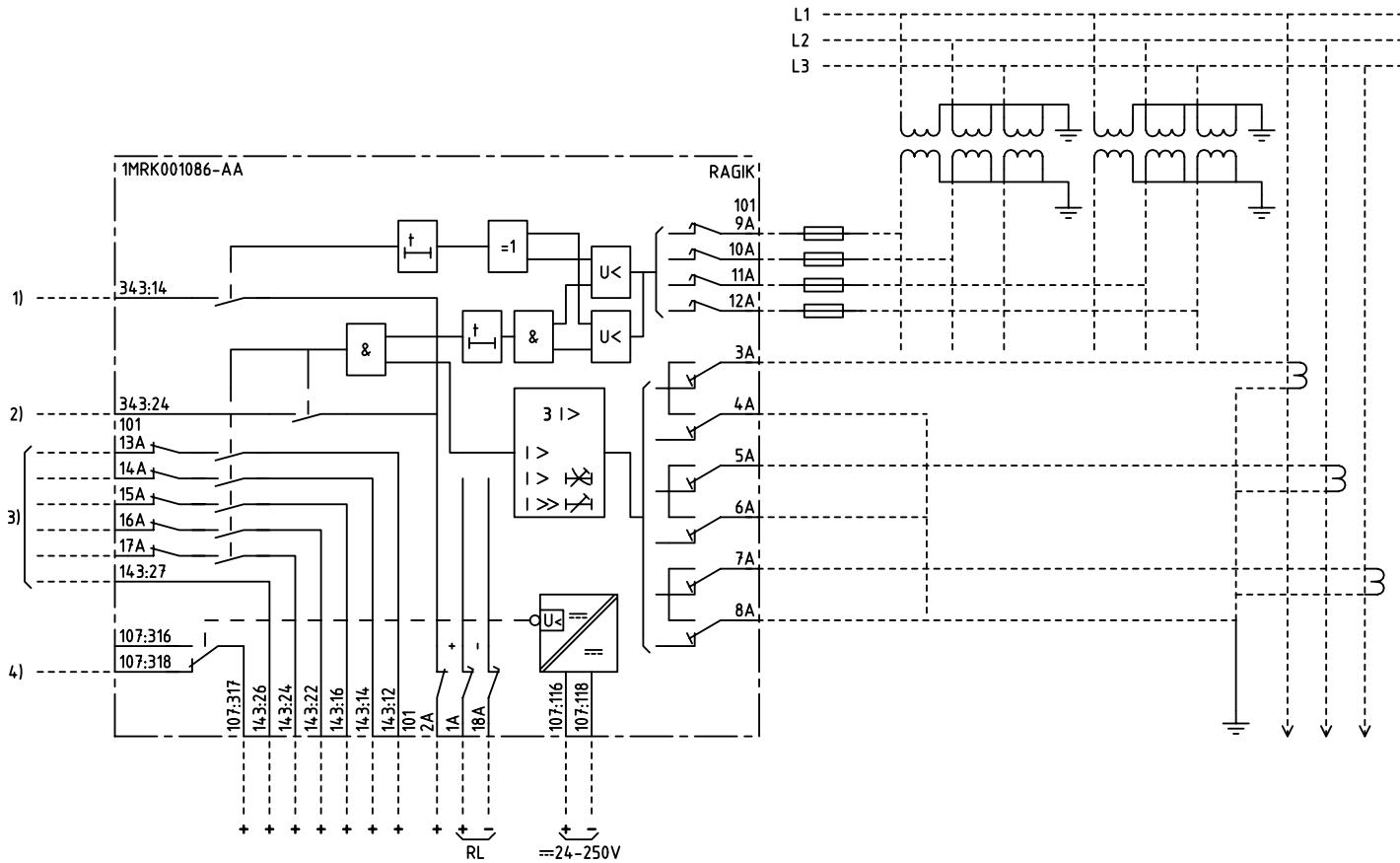


We reserve all rights in this document and in the information contained therein. Reproductions, use for other than intended purposes, or distribution without the written permission of ABB Network Partner AB is strictly forbidden.



GENERATOR DEAD MACHINE PROTECTION
 SKYDD MOT OAVSIKTLIG
 SPÄNNINGSSÄTTNING AV GENERATORER

48C							4U	
101	107	113	119	125	131	137		143
					331	337	343	

- 101 RTXP 18
- 107 RXTUG 22H
- 113, 119, 125 RXIDK 2H
- 131, 137 RXEDA 1
- 143 RXMS 1
- 331, 337 RXKA 1
- 343 RXSF 1

- 1) ALARM, FUSE FAILURE
SIGNAL, SÄKRINGSAVBROTT
- 2) ALARM, TRIPPING
SIGNAL, UTLÖSNING
- 3) TRIPPING ETC.
UTLÖSNING M.M.
- 4) LOSS OF AUXILIARY VOLTAGE
BORTFALL AV HJÄLPSPÄNNING

ELCAD ID PS/render DATE 2004-06-22:07

Issued in ARCADE

Prepared 98-06-05 C-H EINVALL/JE		TERMINAL DIAGRAM/UTTAGSSCHEMA		Resp dep PS Rev ind -		Lang 82	
Approved 98-06-09 P JENÄKER		RAGIK GENERATOR DEAD MACHINE PROT.		Lang 82		Sheet 1	
Rev Ind Revision		Reg No 7411		Lang 82		Sheet 1	
Based on		Pcl 890,461		Lang 82		Cont	

ABB ABB Network Partner AB

1MRK 001 086-AAA