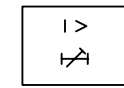
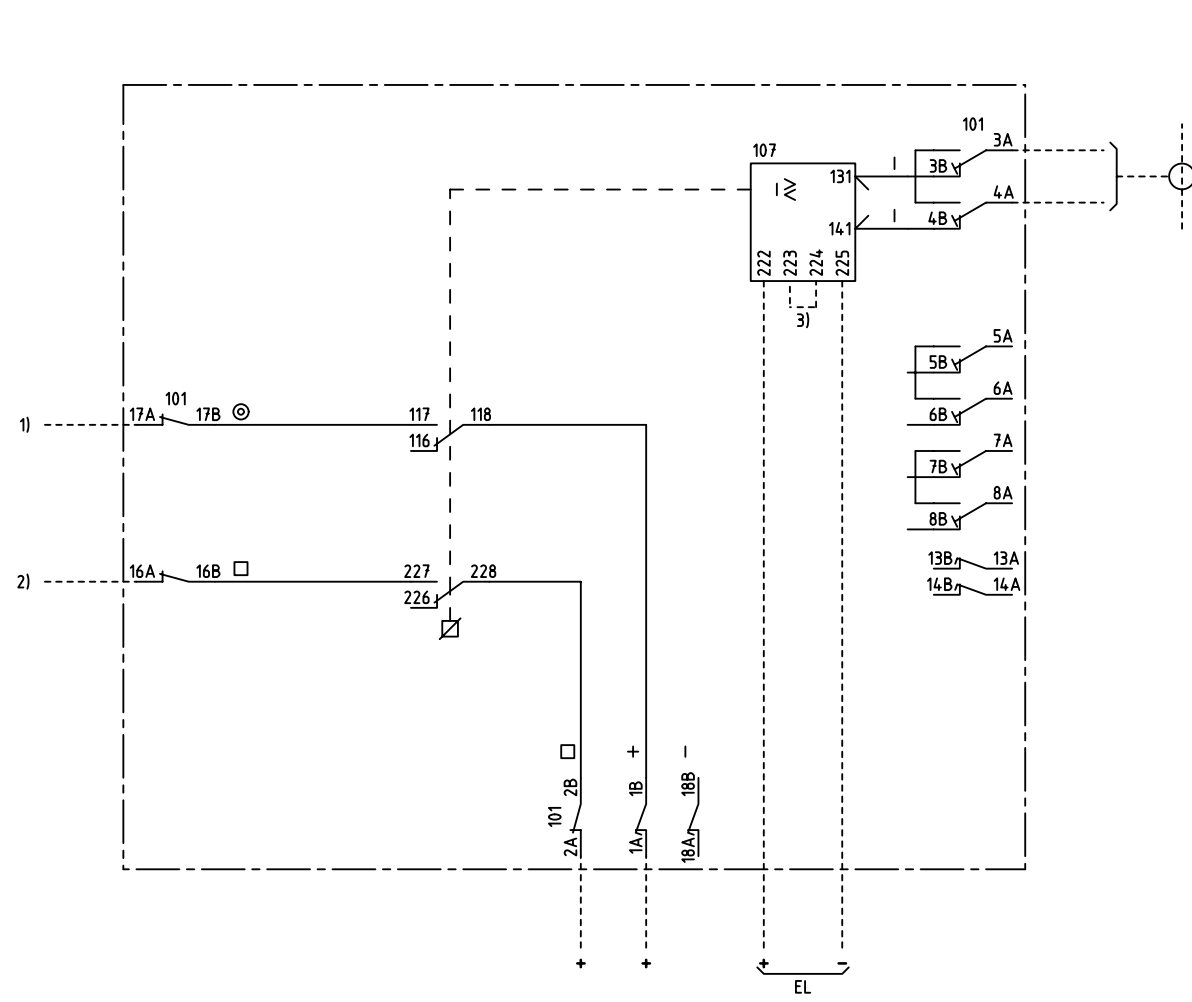
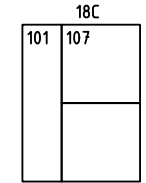


We reserve all rights in this document and in the information contained therein. Reproduction, use for other than intended purposes, without the written consent of ABB Automation Technologies AB is strictly forbidden.



1-PHASE OVERCURRENT PROTECTION
1-FAS ÖVERSTRÖMSSKYDD



101 RTXP 18
107 RXIG 2

- 1) TRIPPING ETC.
UTLÖSNING M.M.
- 2) ALARM ETC.
SIGNAL M.M.
- 3) 223-224 CONNECTED AT
UL=24 RESP. 110-125V DC
223-224 FÖRBUNDNA VID
UL=24 RESP. 110-125V DC

Customer drw no	Prep. PTUA/ - C-H Einval/JE 1999-11-10	1MRK 001 037-BA	
	Appr. PTUA/ Roger Karlsson 1999-11-23	Circuit Diagram	
	Resp. dept PTUA/ PTUA/TPTD	Overcurrent protection	
		Document number	Conf. sh/ No of sh
Based on	ABB ABB Automation Technologies	1MRK001038-BA	
		Lang. en	Rev. -
			Sheet 1

Document status: Approved