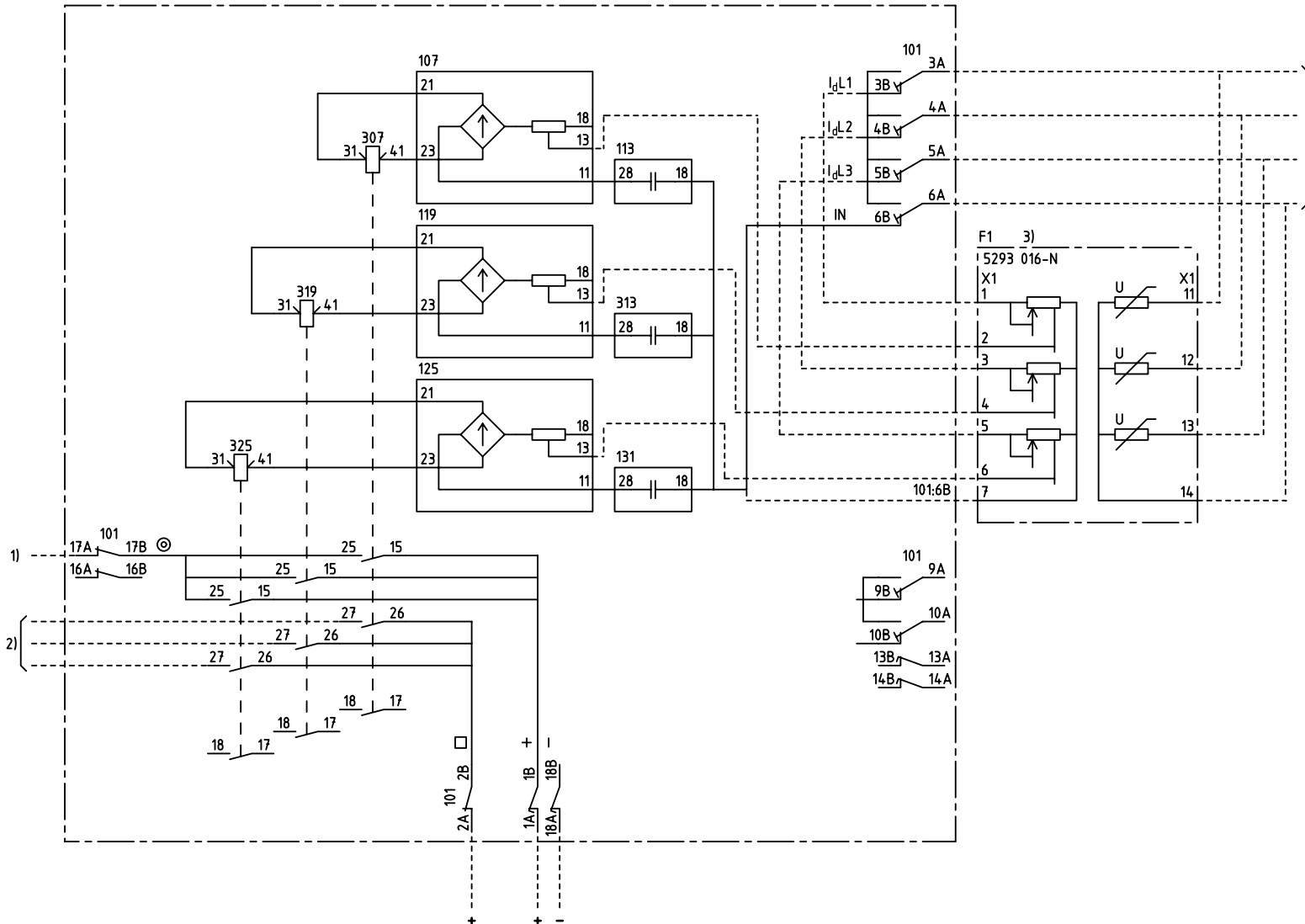


We reserve all rights in this document and in the information contained therein. Reproduction, use for other than intended purposes, without the written consent of ABB Automation Technologies AB is strictly forbidden.



3I_d >

3-PHASE HIGH IMPEDANCE DIFFERENTIAL PROTECTION FOR U_s=(100)-400V

3-FAS HÖGIMPEDANS DIFFERENTIALSKYDD FÖR U_s=(100)-400V

36C					
101	107	113	119	125	131
		307	313	319	325
4U					

101 RTXP 18
 107 119 125 RXTLA 1
 113 131 313 RXTCA 1
 307 319 325 RXID 1

- 1) TRIPPING OF CBs ETC.
UTLÖSNING AV BRYTARE M.M
- 2) ALARM ETC.
SIGNAL M.M
- 3) SEPARATELY MOUNTED
SEPARAT MONTERAD

Customer drw no	Prep. PTUA/ TPTD Eriksson Jill 2002-02-14	RK 646 006-AC	Circuit Diagram	Cont. sh/ No of sh	
	Appr. PTUA/ SA/ATD Jonsson Patrik 2002-02-15				Differential relay
	Resp. dept PTUA/ TPTD	Document number	Lang. en	Rev. B	Sheet 1
Based on	ABB Automation Technologies		7417013-AC		

Document status: Approved