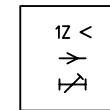
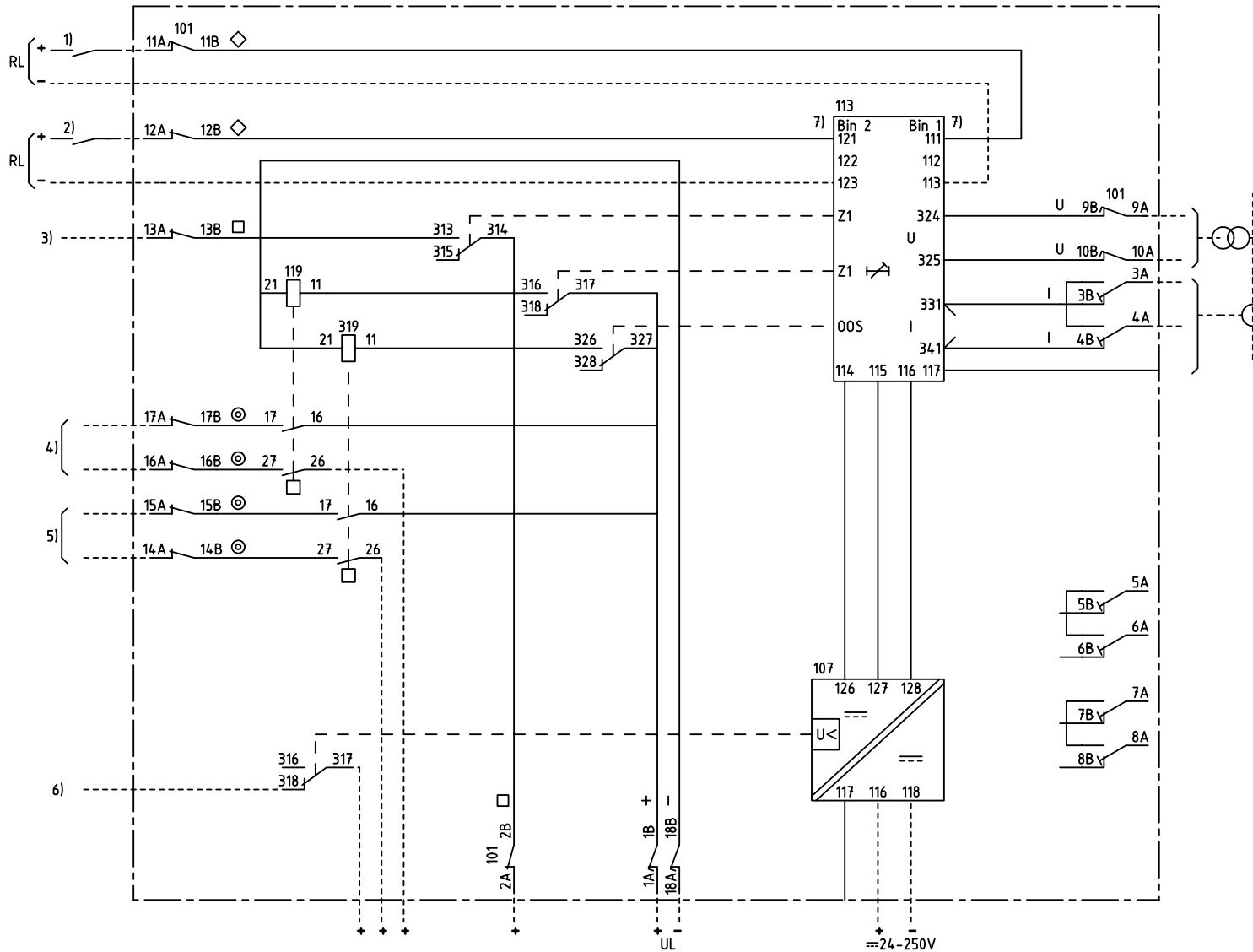
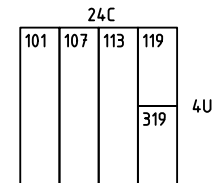


We reserve all rights in this document and in the information contained therein. Reproductions, use for other than intended purposes or distribution without the written consent of ABB Network Partner AB is strictly forbidden.



1-PH UNDERIMPEDANCE PROTECTION
 DELAYED
 1-FAS UNDERIMPEDANSSKYDD
 FÖRDRÖJT



101 RTXP 18
 107 RXTUG 22H
 113 RXZK 23H
 119,319 RXME 18

- 1) TOTAL BLOCKING
TOTAL BLOCKERING
- 2) RESETING OF INDICATION
ÅTERSTÄLLNING AV INDIKERING
- 3) UNDERIMPEDANCE, START
UNDERIMPEDANS, START
- 4) UNDERIMPEDANCE, TRIPPING
UNDERIMPEDANS, UTLÖSNING
- 5) OUT OF STEP, TRIPPING
URFASFALL, UTLÖSNING
- 6) LOSS OF AUXILIARY VOLTAGE
BORTFALL AV HJÄLPSPÄNNING
- 7) CONNECTED FOR RL=110-220V DC
CHANGE FROM 111 TO 112 AND
121 TO 122 AT RL=48-60V DC
KOPPLAD FÖR RL=110-220V DC
ÄNDRA FRÅN 111 TILL 112 OCH
121 TILL 122 VID RL=48-60V DC

ELCAD ID PS/render

DATE 2004-06-232:57

1MRK 001 067-EA

Issued in ARCADE

Prepared 97-01-09 C-H Einvall/L Bergman		CIRCUIT DIAGRAM/KRETSSCHEMA		Resp dep PS		Rev ind 1 97.27		Lang 82	
Approved 97-01-29 P Jenåker		RAZK 231 1-PHASE UNDERIMPEDANCE PROT.		1MRK 001 068-EA		Sheet 1			
Rev Ind Revision		Reg No 7411		Based on		Pcl 890.557			

ABB ABB Network Partner AB

1MRK 001 068-EA

Cont