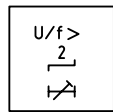
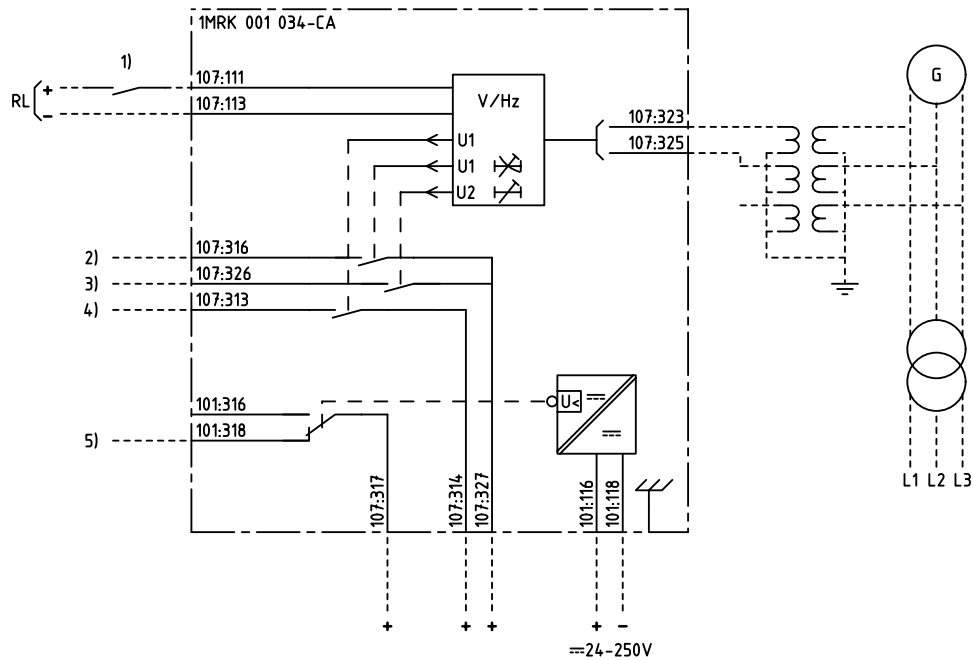


We reserve all rights in this document and in the information contained therein. Reproduction, use for other purposes or distribution without the written consent of ABB Network Partner AB is strictly forbidden.



TRANSFORMER OVEREXCITATION PROTECTION
 ÖVERMAGNETISERINGSSKYDD FÖR TRANSFORMATOR

- 1) RESETTING OF INDICATION
ÅTERSTÄLLNING AV INDIKERING
- 2) TRIPPING STAGE 1
UTLÖSNING STEG 1
- 3) TRIPPING STAGE 2
UTLÖSNING STEG 2
- 4) START STAGE 1
START STEG 1
- 5) LOSS OF AUXILIARY VOLTAGE
BORTFALL AV HJÄLPSPÄNNING

ELCAD ID TPTD/render

DATE 2004-06-231:02

Issued in ARCADE

Prepared 96-12-10 H RAZA/J ERIKSSON		TERMINAL DIAGRAM/UTTAGSSCHEMA		Resp dep TPTD		Rev ind -		Lang en	
Approved 97-01-22 Peter Jenøker		RALK 1 TRANS TIME-OVEREXCITATION PROT		M		M		M	
		RALK 1 ÖVERMAGNET. SKYDD FÖR TRAFÖ		M		M		M	
Rev Ind	Revision	Reg No	7411	ABB ABB Network Partner AB		1MRK 001 034-CAA		Sheet	1
Based on		Pcl	890.561					Cont	