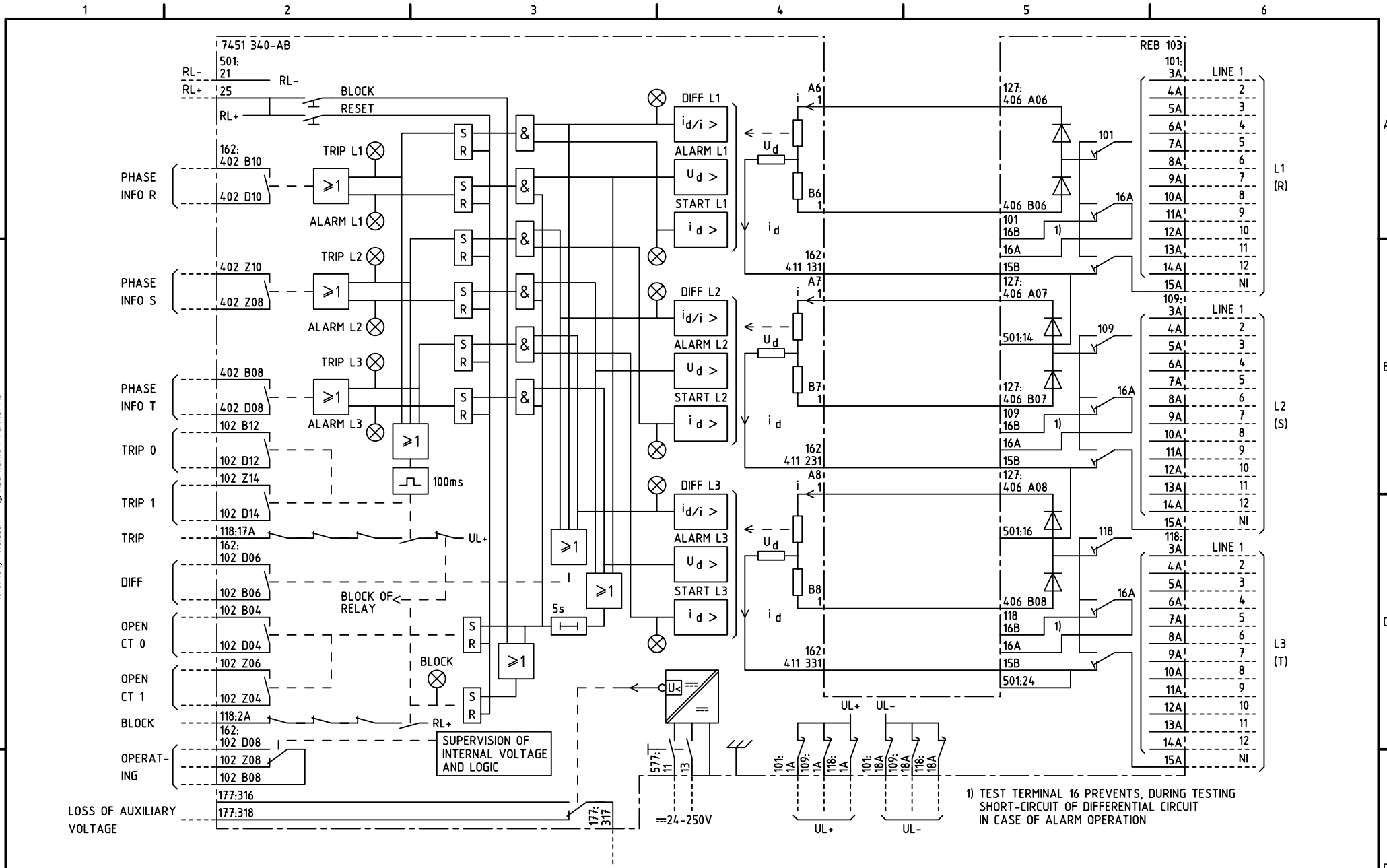


We reserve all rights in this document and in the information contained therein. Reproduction, use or distribution of this document or its contents without the written permission of ABB Network Partner AB is strictly forbidden.



1) TEST TERMINAL 16 PREVENTS, DURING TESTING SHORT-CIRCUIT OF DIFFERENTIAL CIRCUIT IN CASE OF ALARM OPERATION

ELCAD ID TPTD/render DATE 2004-06-224:44 Issued in ARCADE

Prepared 92.34		N BRANDT		TERMINAL DIAGRAM/UTTAGSSHEMA		REB 103 DIFFERENTIAL PROTECTION		Resp dep TPTD		Rev ind 8 97.17		Lang en		
Approved 92.34		P JENÄKER		ABB		ABB Network Partner AB		7451 340-AAA		Sheet 1		Cont		
Rev Ind	Revision	Reg No	7451											
Based on		Pcl	890.638											