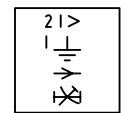
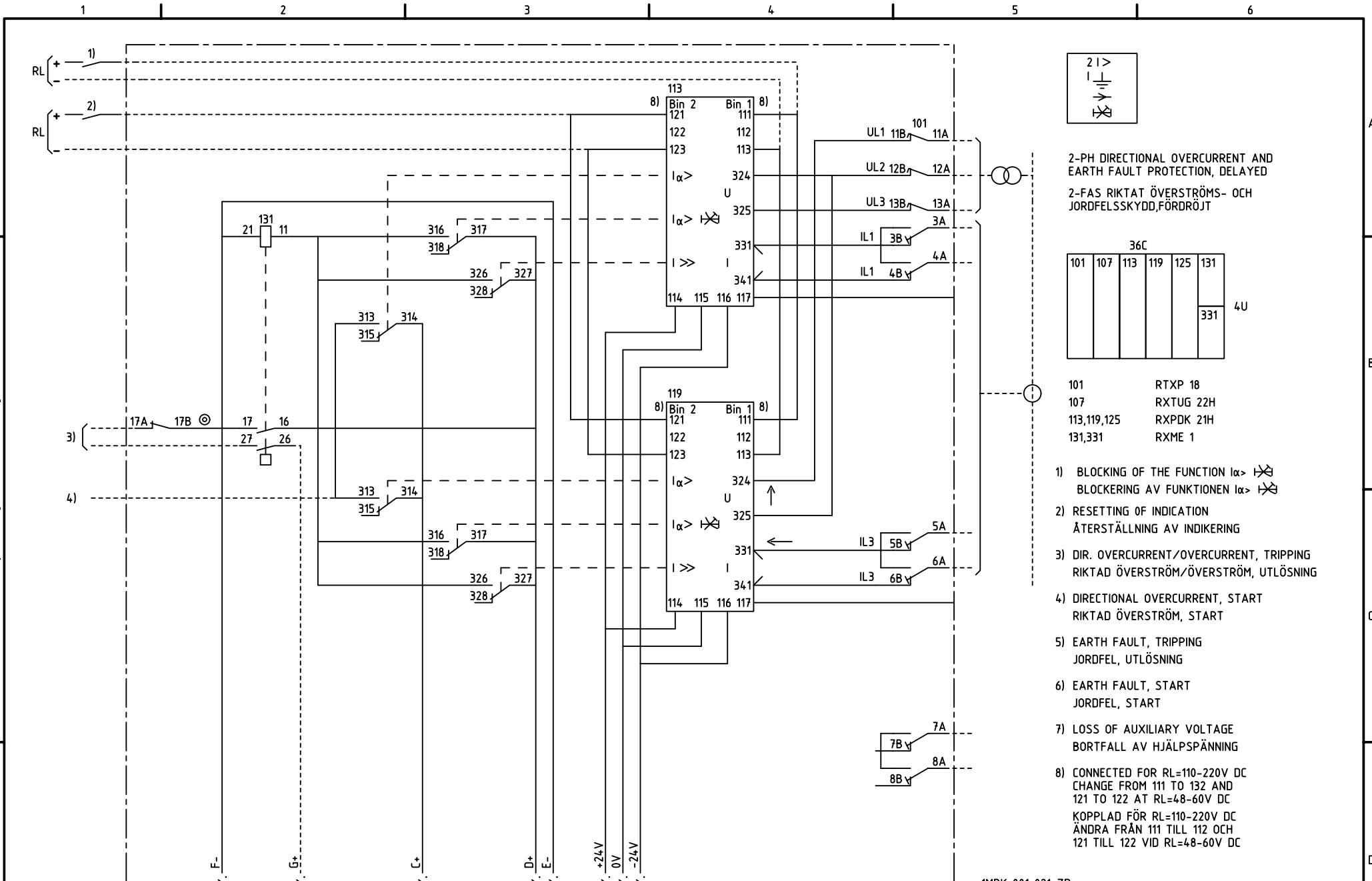


We reserve all rights in this document and in the information contained therein. Reproduction, use or distribution of this document without the written authority of ABB Automation Technologies AB is strictly forbidden.



2-PH DIRECTIONAL OVERCURRENT AND EARTH FAULT PROTECTION, DELAYED  
2-FAS RIKTAT ÖVERSTRÖMS- OCH JORDFELSSKYDD, FÖRDRÖJT

36C					
101	107	113	119	125	131
					331
					4U

101	RTXP 18
107	RXTUG 22H
113, 119, 125	RXPDK 21H
131, 331	RXME 1

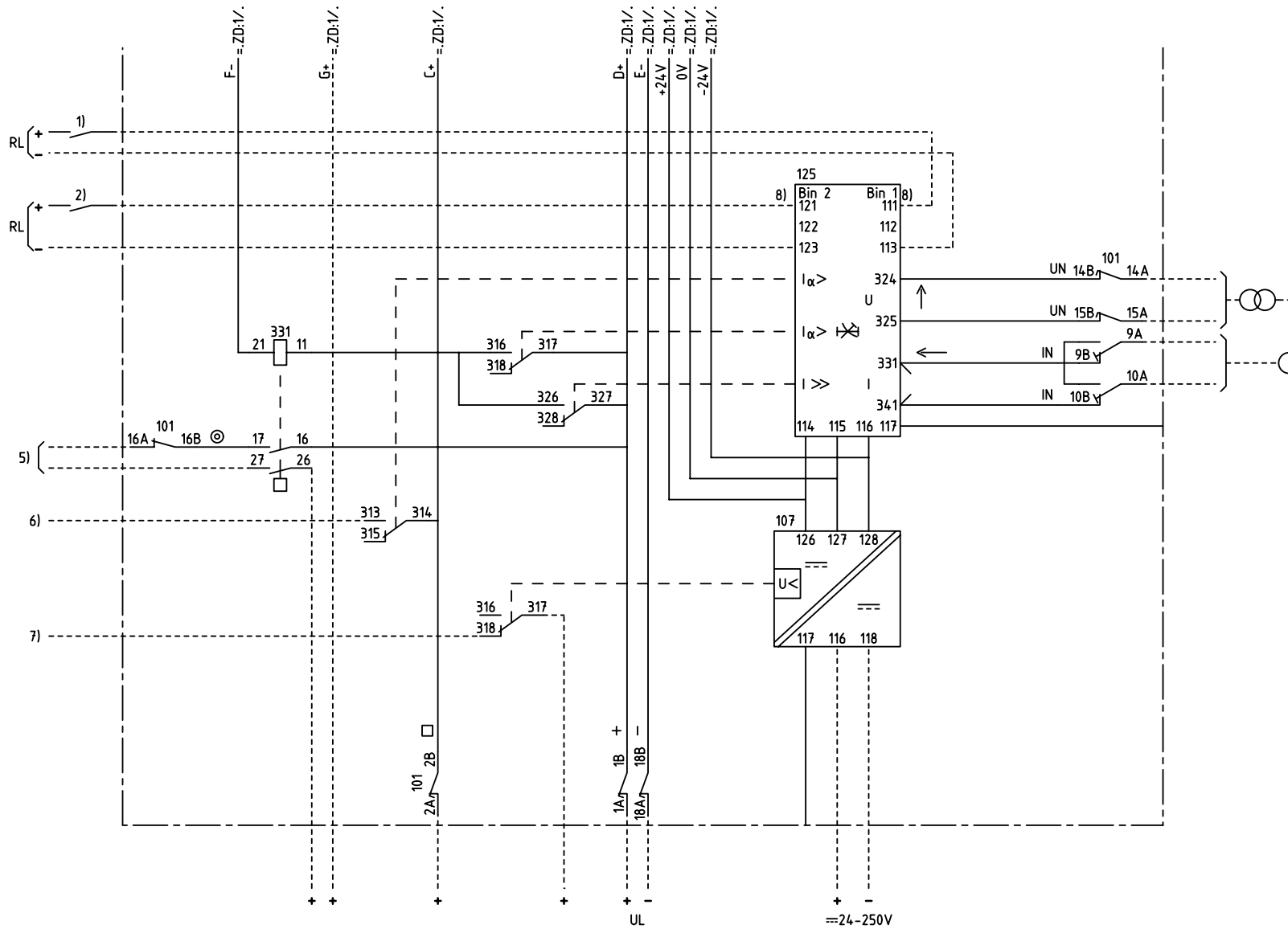
- 1) BLOCKING OF THE FUNCTION  $I_{\alpha>}$  / BLOCKERING AV FUNKTIONEN  $I_{\alpha>}$
- 2) RESETTING OF INDICATION / ÅTERSTÄLLNING AV INDIKERING
- 3) DIR. OVERCURRENT/OVERCURRENT, TRIPPING / RIKTAD ÖVERSTRÖM/ÖVERSTRÖM, UTLÖSNING
- 4) DIRECTIONAL OVERCURRENT, START / RIKTAD ÖVERSTRÖM, START
- 5) EARTH FAULT, TRIPPING / JORDFEL, UTLÖSNING
- 6) EARTH FAULT, START / JORDFEL, START
- 7) LOSS OF AUXILIARY VOLTAGE / BORTFALL AV HJÄLPSPÄNNING
- 8) CONNECTED FOR RL=110-220V DC CHANGE FROM 111 TO 132 AND 121 TO 122 AT RL=48-60V DC / KOPPLAD FÖR RL=110-220V DC ÄNDRA FRÅN 111 TILL 112 OCH 121 TILL 122 VID RL=48-60V DC

1MRK 001 021-ZD

Customer/drw no	PTUA/ TPTD H Raza/JE	1999-03-29	Circuit Diagram	Conf. sh/ No of sh
Appr. =	PTUA/ Roger Karlsson	1999-05-21	Dir. O/C and E/F prot.	2
Resp. dept	PTUA/ TPTD		Document number	Sheet
	<b>ABB</b> ABB Automation Technologies		<b>1MRK001022-ZD</b>	1
Based on			Lang. 82	Rev. -

Document status: Approved

We reserve all rights in this document and in the information contained therein. Reproduction, use for other than intended purposes, or distribution without the written permission of ABB Automation Technologies AB is strictly forbidden. © ABB Automation Technologies AB



Customer drw no	Prep. PTUA/ TPTD H Raza/JE	1999-03-29	Circuit Diagram	Conf. sh/ No of sh
	Appr. PTUA/ Roger Karlsson	1999-05-21		
	Resp. dept PTUA/ TPTD		Document number	Lang.
Based on				
	ABB ABB Automation Technologies		Rev.	Sheet
			-	2

Document status: Approved