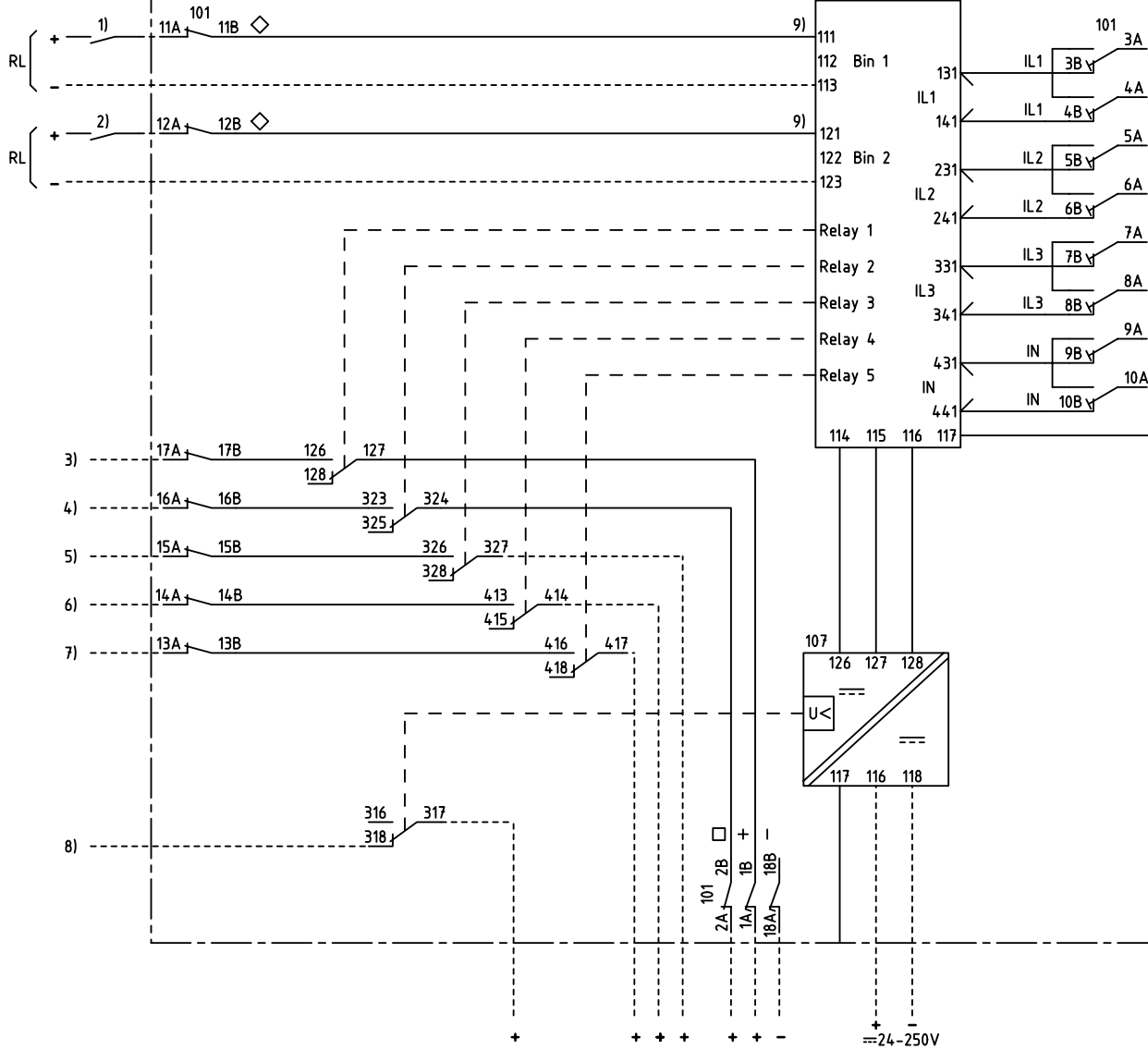
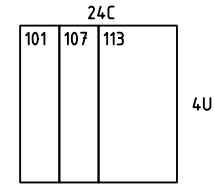


We reserve all rights in this document and in the information contained therein. Reproduction, use or distribution of this document without the written authority of ABB Automation Technologies AB is strictly forbidden.



MULTI-FUNCTION CURRENT PROTECTION



- 101 RTXP 18
- 107 RXTUG 22H
- 113 RXHL 4.11

- 1), 2) BINARY INPUT, PROGRAMMABLE
- 3)-7) RELAY OUTPUTS 1-5, PROGRAMMABLE FUNCTION
- 8) LOSS OF AUXILIARY VOLTAGE
- 9) CONNECTED FOR RL=110-220V DC  
CHANGE FROM 111 TO 112 AND 121 TO 122 AT RL=48-60V DC

PROGRAMMABLE FUNCTIONS FOR BINARY INPUTS:  
BLOCKING/ENABLING I>, I>>, I>>>, IN>, IN>>, IN>>>  
THERMAL RESET 0, BREAKER FAILURE EXTERNAL START;  
ALTERNATIVE SETTINGS; RESET OF LED INDICATIONS.

PROGRAMMABLE FUNCTIONS FOR BINARY OUTPUTS:  
START AND TRIP I>, I>>, I>>>, IN>, IN>>, IN>>>;  
THERMAL ALARM 0; THERMAL TRIP 0;  
BREAKER FAILURE RE-TRIP; BREAKER FAILURE BACK-UP TRIP;  
ALTERNATIVE SETTINGS; IN SERVICE

BINARY INPUT OPTIONS:  
CIRCUIT-BREAKER CLOSED; CIRCUIT-BREAKER READY;  
BLOCKING OF AUTORECLOSING; AUTORECLOSING EXTERNAL ON.

BINARY OUTPUT OPTIONS:  
AUTORECLOSING ON; AUTORECLOSING READY;  
AUTORECLOSING STARTED;  
AUTORECLOSING PULSE TO CIRCUIT-BREAKER;  
AUTORECLOSING UNSUCCESSFUL; INTENTIONAL OVERREACH TRIP.

1MRK 001 082-GA

Customer drw no	Prep. PTUA/ TPTD H Raza/JE 1999-09-27	Circuit Diagram	Cont. sh/ No of sh			
	Appr. PTUA/ Roger Karlsson 1999-09-27	Multi-f current prot.				
	Resp. dept PTUA/ TPTD					
Based on	ABB Automation Technologies		Document number	Lang.	Rev.	Sheet
			1MRK001083-GA	en	1	1

Document status: Approved