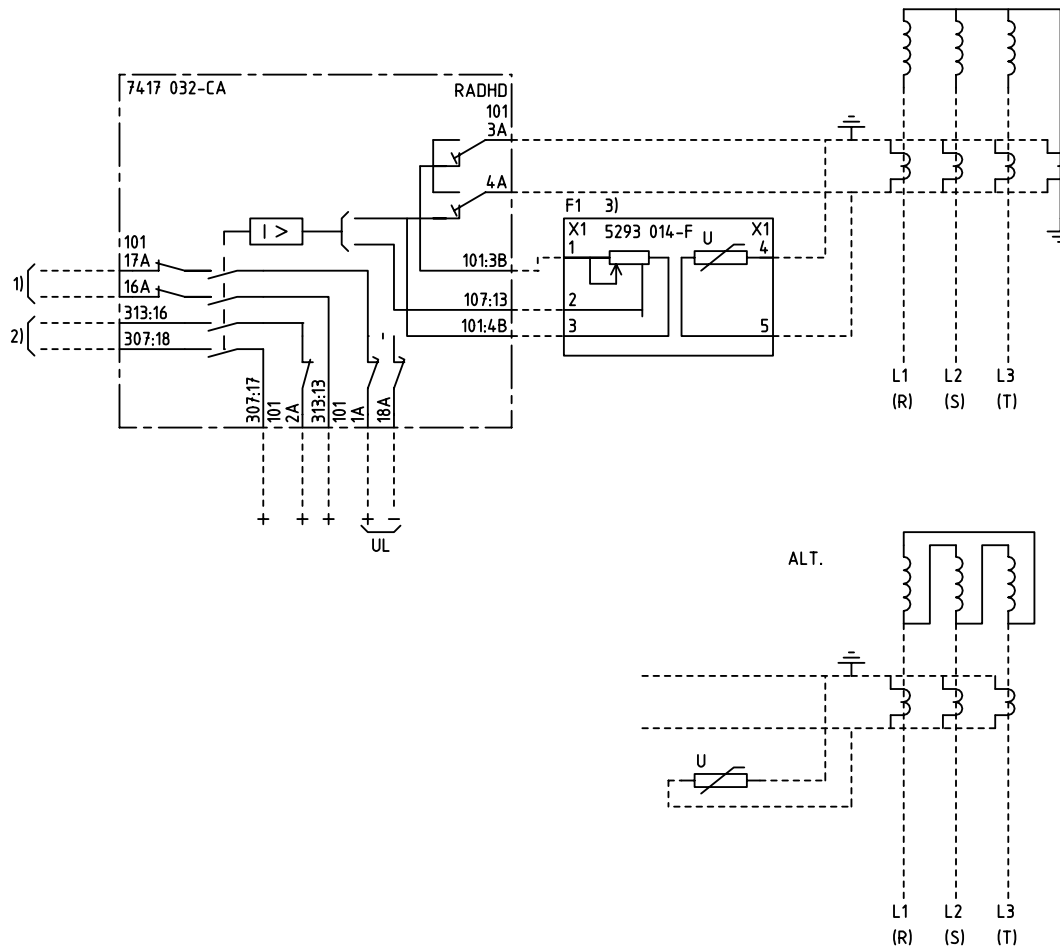


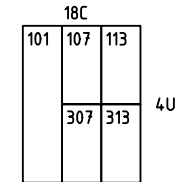
We reserve all rights in this document and in the information contained therein. Reproduction, use for other than intended purposes without the written authority is strictly forbidden. © ABB Automation Technologies AB



$I_d >$

1-PHASE HIGH-IMPEDANCE DIFFERENTIAL PROTECTION FOR $U_s=(100)-400V$

1-FAS HÖGIMPEDANS DIFFERENTIALSKYDD FÖR $U_s=(100)-400V$

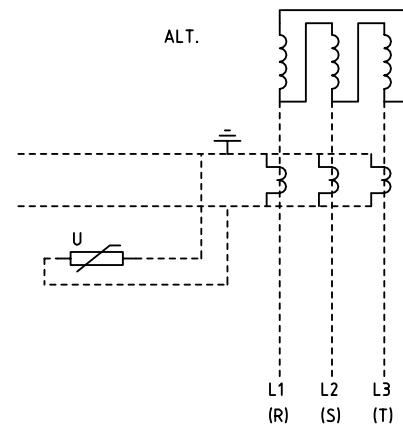


- 101 RTXP 18
- 107 RXTLA 1
- 113 RXTCA 1
- 307 RXID 1
- 313 RXSF 1
- F1 RESISTOR UNIT

1) TRIP ETC.
UTLÖSNING M.M

2) ALARM ETC.
SIGNAL M.M

3) SEPARATELY MOUNTED
SEPARAT MONTERAD



Customer drw no	Prep. PTUA/ TPTD Eriksson Jill 2003-02-06	Connection Diagram	Cont. sh/ No of sh
	Appr. PTUA/ SA/DP Jonsson Patrik 2003-02-07		
	Resp. dept PTUA/ TPTD	Document number 7417032-CAA	Sheet 1
Based on	ABB ABB Automation Technologies		

Document status: Approved