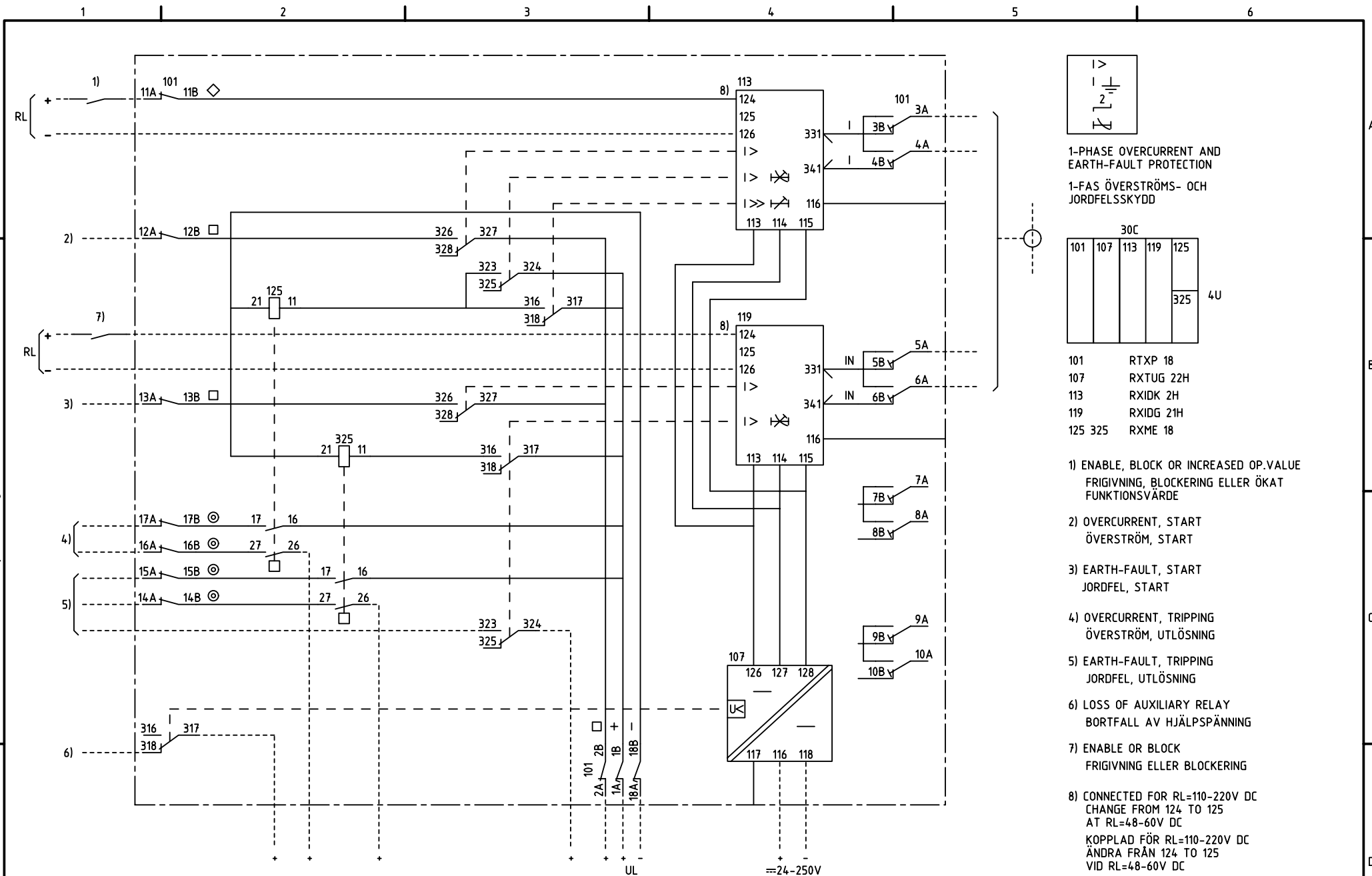


We reserve all rights in this document and in the information contained therein. Reproductions, use for other than intended purposes or in any other way is strictly forbidden. © ABB Network Partner AB



ELCAD ID PAT/render

DATE 2004-06-223:32

IMRK 001 006-LA

Issued in ARCADE

Prepared 96-04-01 HAIDER RAZA/L OLSTAM		CIRCUIT DIAGRAM/KRETSSCHEMA			
Approved 96-05-13 P JENÄKER		RACIK 2 OVERCURRENT AND E/F PROTECTION			
		RACIK 2 ÖVERSTRÖMS- OCH JORDFELSSKYDD		Resp dep PAT Rev ind 1 97.12 Lang 82	
Rev Ind	Revision	Reg No 7411	<b>ABB</b> ABB Network Partner AB		<b>IMRK 001 007-LA</b>
Based on	Pct 890.616				