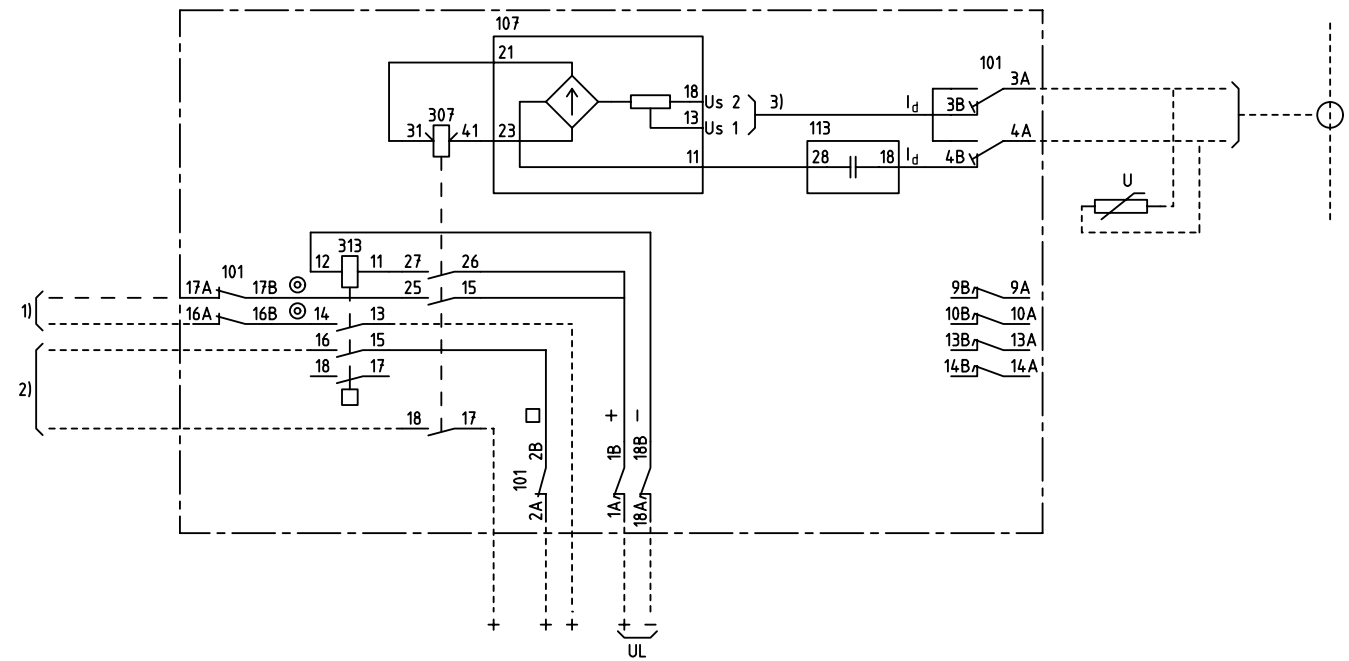


We reserve all rights in this document and in the information contained therein. Reproduction, use for other than intended purposes, or distribution without the written permission of ABB Network Partner AB is strictly forbidden.



$I_d >$

HIGH-IMPEDANCE SINGLE-PHASE RESTRICTED EARTH-FAULT PROTECTION FOR U_s 19 TO 100V
 ENFAS HÖGIMPEDANS JORDFELSDIFFERENTIALSKYDD FÖR U_s 19V TILL 100V

18C		
101	107	113
307		313
4U		

- 101 RTXP 18
- 107 RXTLA 1
- 113 RXTCA 1
- 307 RXID 1
- 313 RXSF 1

- 1) TRIP ETC.
UTLÖSNING M.M
- 2) ALARM ETC.
SIGNAL M.M
- 3) CONNECTED TO 13 (Us1) AT DELIVERY
VID LEVERANS ANSLUTEN TILL 13 (Us1)

ELCAD ID TPTD/render DATE 2004-06-221:44

RK 646 007-CB Issued in ARCADE

Prepared 86 25		CIRCUIT DIAGRAM/KRETSSCHEMA		Resp dep TPTD		Rev Ind 1 96.45		Lang 82	
Approved 86 25		RADHD EARTH-FAULT PROTECTION		7417		7417 005-CB		Sheet 1	
Rev Ind		Revision		Reg No		7417		Cont	
Based on		Pcl		890.646		ABB ABB Network Partner AB			