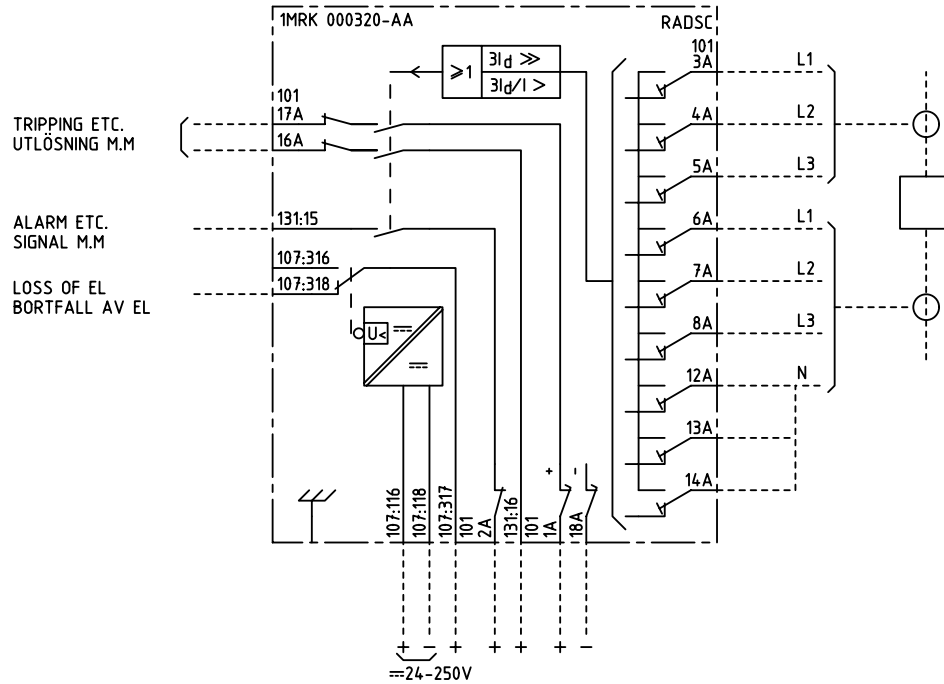


We reserve all rights in this document and in the information contained therein. Reproduction, use for other than intended purposes, or distribution without the written permission of ABB Network Partner AB is strictly forbidden.



$3I_d/1 >$

DIFFERENTIAL PROTECTION WITH TWO
 INPUT CIRCUIT RESTRAINTS
 DIFFERENTIALSKYDD MED
 TVÅ STABILISERANDE INGÅNGAR

ELCAD ID PAT/render

DATE 2004-06-224:23

Issued in ARCADE

		Prepared 94 44	C-H EINVALL	TERMINAL DIAGRAM/UTTAGSSCHEMA			
		Approved 94 44	P JENÄKER	RADSC DIFFERENTIAL PROTECTION			
				RADSC DIFFERENTIALSKYDD		Resp dep PAT	Rev ind 1 96 45
Rev Ind	Revision	Reg No 1MRK	ABB ABB Network Partner AB		1MRK 000 320-AAA		Lang 82
Based on		Pcl 890.000					Sheet 1
							Cont