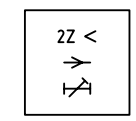
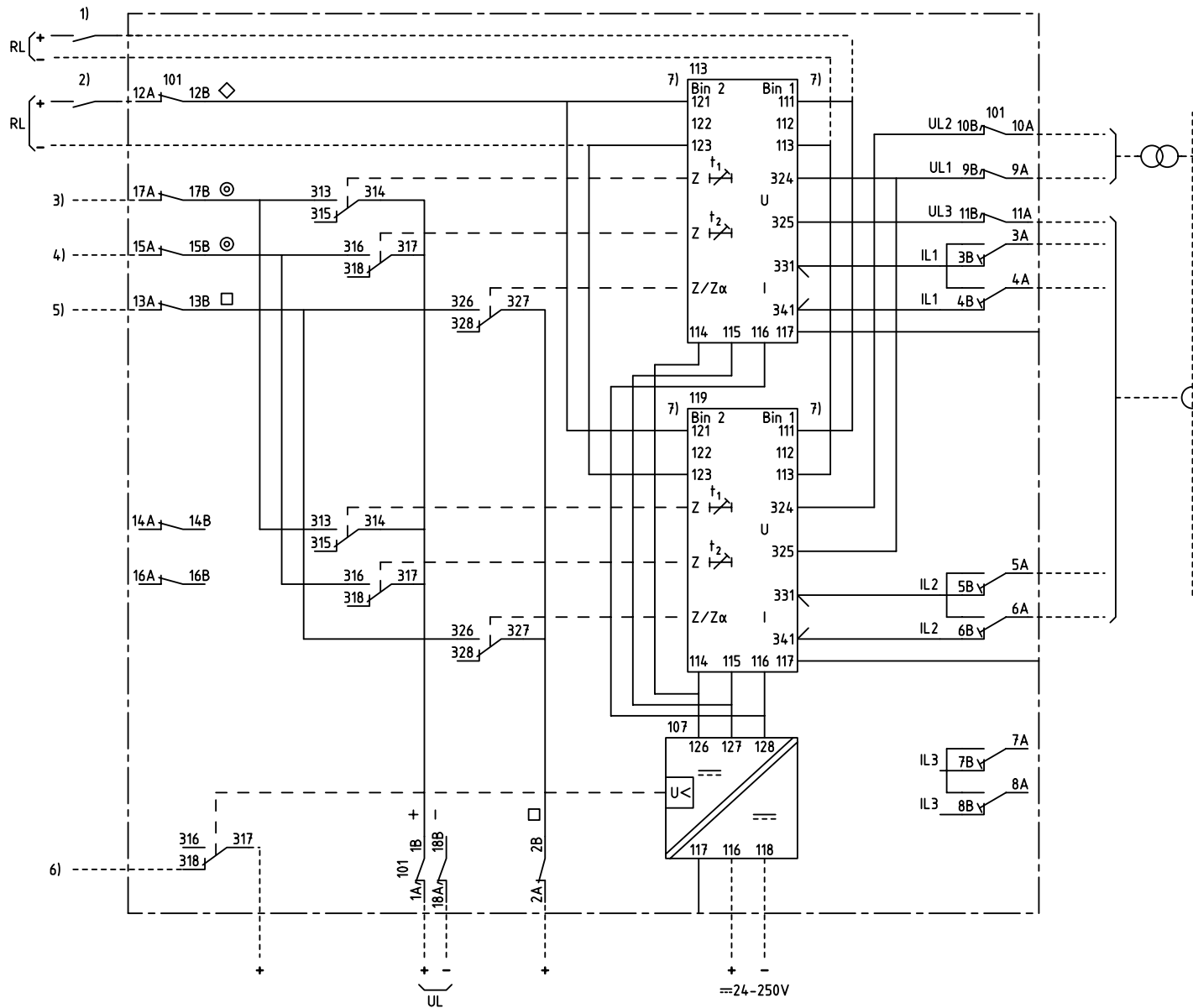
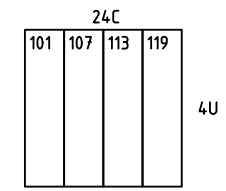


We reserve all rights in this document and in the information contained therein. Reproduction, use or distribution of this document without the written authority of ABB Automation Technologies AB is strictly forbidden. © ABB Automation Technologies AB



2-PH UNDERIMPEDANCE PROTECTION DELAYED



101 RTXP 18  
107 RXTUG 22H  
113,119 RXZK 21H

- 1) BLOCKING OF ALL FUNCTIONS EXCEPT  $Z_{\alpha <}$  OR BLOCKING OF TRIP  $Z_{t1}$  OR ENABLE OF  $Z/Z_{\alpha <}$  OR ACCELERATION OF  $Z_{t2}$
- 2) RESETTING OF INDICATION
- 3) UNDERIMPEDANCE, TRIPPING STAGE 1
- 4) UNDERIMPEDANCE, TRIPPING STAGE 2
- 5) UNDERIMPEDANCE/DIR. UNDERIMPEDANCE, START
- 6) LOSS OF AUXILIARY VOLTAGE
- 7) CONNECTED FOR RL=110-220V DC CHANGE FROM 111 TO 112 AND 121 TO 122 AT RL=48-60V DC

Customer drw no	Prep. PTUA/ TPTD Eriksson Jill 2000-11-22	1MRK 001029-KA	
	Appr. PTUA/ TATD Karlsson Roger 2001-03-27	Circuit Diagram	
	Resp. dept PTUA/ TPTD	2-phase underimpedance protection	
Based on	ABB ABB Automation Technologies		Document number
			1MRK001030-KA
		Lang. en	Rev. -
			Sheet 1

Document status: Approved