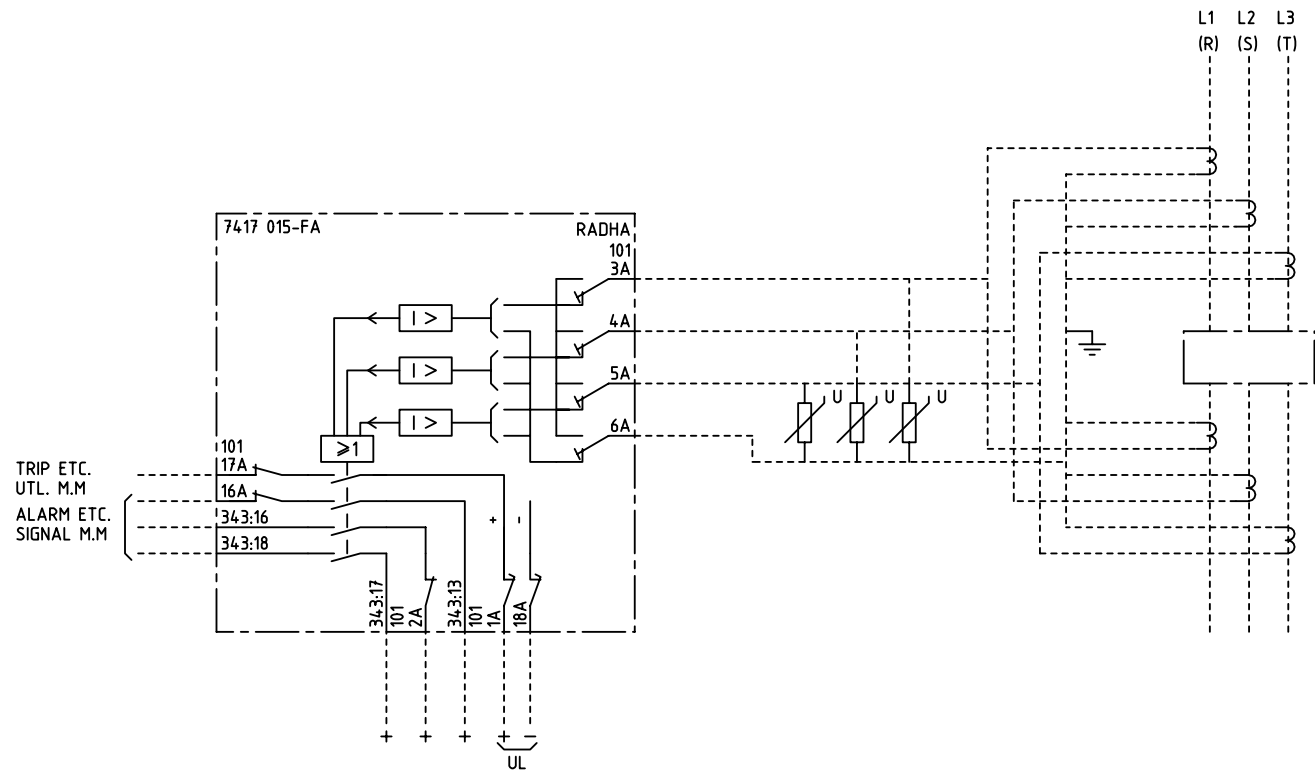


We reserve all rights in this document and in the information contained therein. Reproduction, use for other than intended purposes, or distribution without the written consent of ABB Network Partner AB is strictly forbidden.

3 I_d >

3-PHASE HIGH-IMPEDANCE DIFFERENTIAL PROTECTION FOR U_s =10/15V
 3-FAS HÖGIMPEDANS DIFFERENTIALSKYDD FÖR U_s =10/15V



ELCAD ID PAT/render

DATE 2004-06-232:57

Issued in ARCADE

Prepared 83 14 R ÖSTLUND		TERMINAL DIAGRAM/UTTAGSSCHEMA			
Approved 83 14 P JENÄKER		RADHA DIFFERENTIAL PROTECTION			
		DIFFERENTIALSKYDD		Resp dep PAT Rev Ind 4 96.45 Lang 82	
Rev Ind	Revision	Reg No 7417	ABB ABB Network Partner AB		7417 015-FAA
Based on	Pcl 890.646				

1

2

3

4

5

6