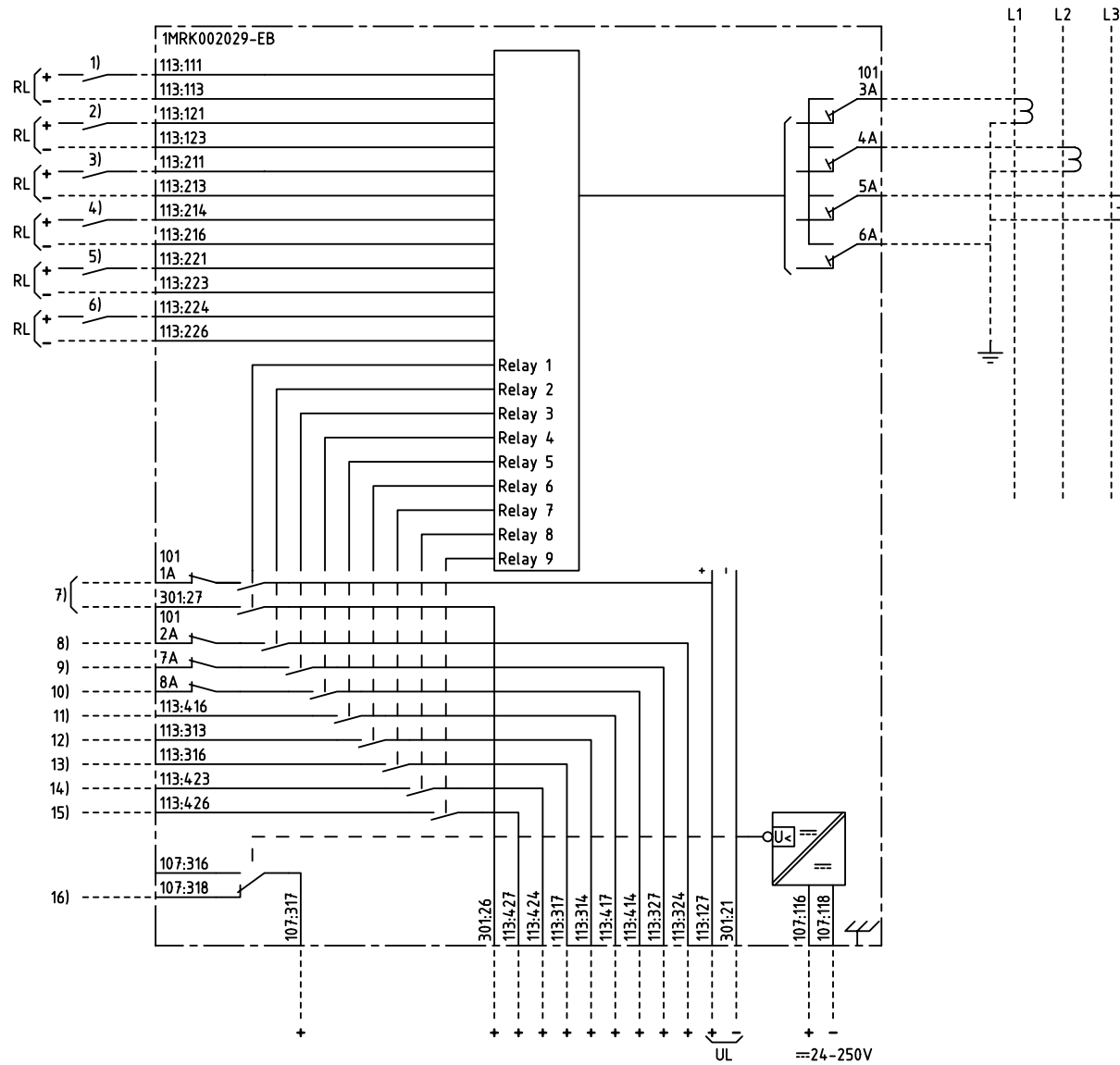
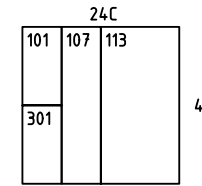


We reserve all rights in this document and in the information contained therein. Reproductions, use in other projects or for other purposes without the written consent of ABB Automation Technologies AB is strictly forbidden.



MULTI-FUNCTION BREAKER FAILURE PROTECTION WITH BINARY I/O OPTION



101	RTXP 8
107	RXTUG 22H
113	RXHB 411
301	RXME 18

- 1)-6) BINARY INPUT, PROGRAMMABLE
- 7)-15) RELAY OUTPUTS 1-9, PROGRAMMABLE FUNCTION
- 16) LOSS OF AUXILIARY VOLTAGE

PROGRAMMABLE FUNCTIONS FOR BINARY INPUTS:
 BREAKER FAILURE EXTERNAL START SIGNAL: IL1, IL2, IL3, 3-PHASE,
 UNCONDITIONAL BREAKER FAILURE, CIRCUIT-BREAKER FAILURE;
 BLOCKING BREAKER FAILURE AND POLE DISGREEMENT; STORE ACTUAL CURRENTS; RESET OF LED INDICATION.

PROGRAMMABLE FUNCTIONS FOR BINARY OUTPUTS:
 RETRIP SIGNAL IL1, IL2, IL3, 3-PHASE; BACK-UP TRIP 1 SIGNAL;
 BACK-UP TRIP 2 SIGNAL, POLE DISAGREEMENT START AND TRIP;
 IN SERVICE

BINARY INPUT OPTIONS:
 BLOCKING/ENABLING I>, I>>, IN>, IN>>;

BINARY OUTPUT OPTIONS:
 START AND TRIP IL1>, IL2>, IL3>, IL1>>, IL2>>, IL3>>,
 MULTI-PHASE I>, MULTI-PHASE I>>, IN>, IN>>.

Customer drw no	Prep. PTUA/ TPTD Eriksson Jill 2001-01-04	Connection Diagram	Conf. sh/ No of sh		
	Appr. PTUA/ TATD Karlsson Roger 2001-01-11			Multi-function breaker failure protection	
	Resp. dept PTUA/ TPTD				
Based on	ABB ABB Automation Technologies	Document number 1MRK002029-EBA	Lang. en	Rev. -	Sheet 1

Document status: Approved