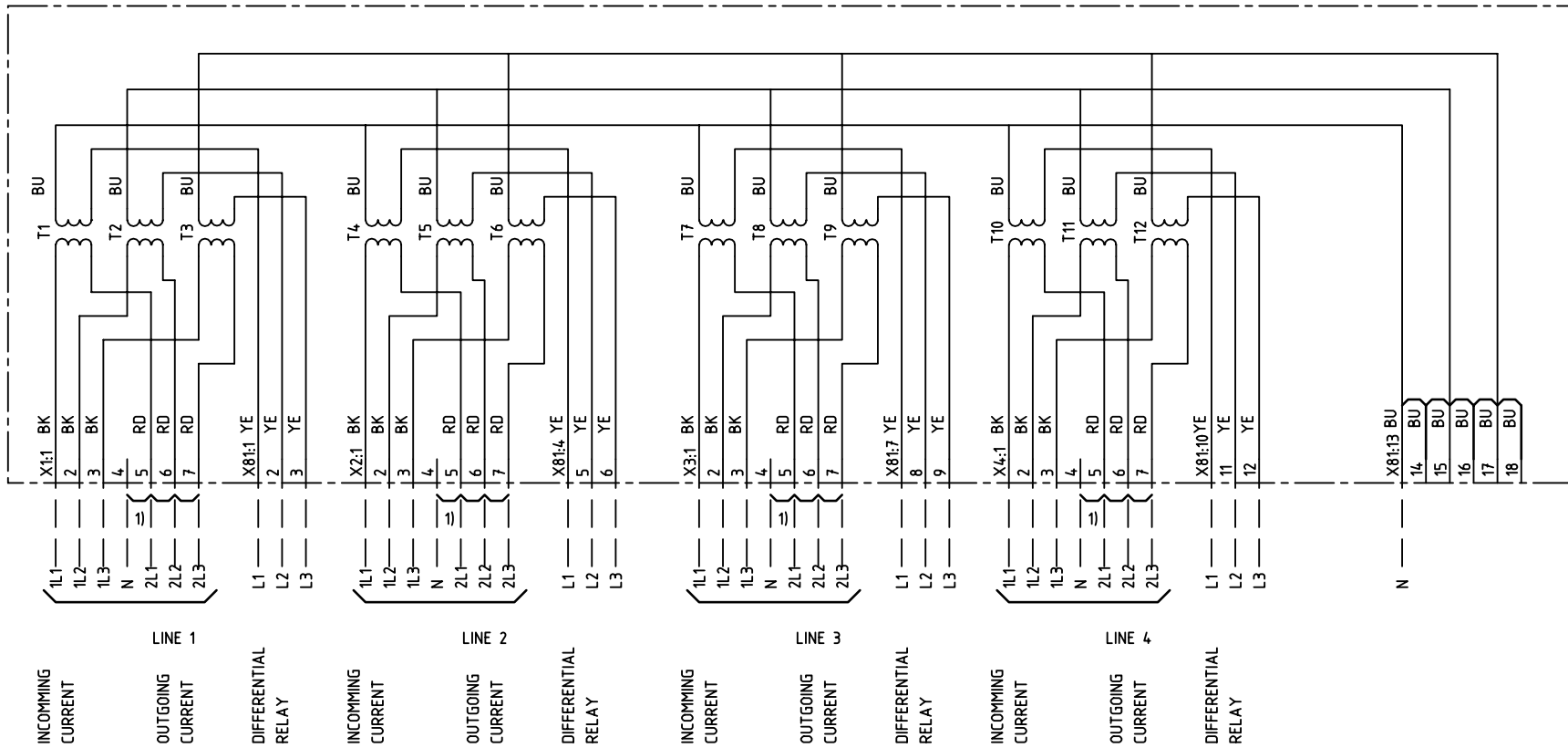


We reserve all rights in this document and in the information contained therein. Reproductions, use for other than the intended purpose or distribution is strictly forbidden. © ABB Network Partner AB



1) REMOVE SHORT-CIRCUIT DEVICE, TERMINAL 4-7 IF OTHER RELAYS ARE CONNECTED.

ELCAD ID PS/render

DATE 2004-06-220:07

Prepared 97 36		N BRANDT/ACW		CIRCUIT DIAGRAM/KRETSSCHEMA			
Approved 97 39		P JENÄKER		TRANSFORMER UNIT			
				TRANSFORMATORENHET		Resp dep PS Rev ind -	
Rev Ind	Revision	Reg No	7434	<b>ABB</b> ABB Network Partner AB		<b>7451 370-BA</b>	
Based on		Pct	890.612				
						Sheet	1
						Cont	