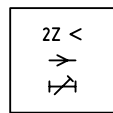
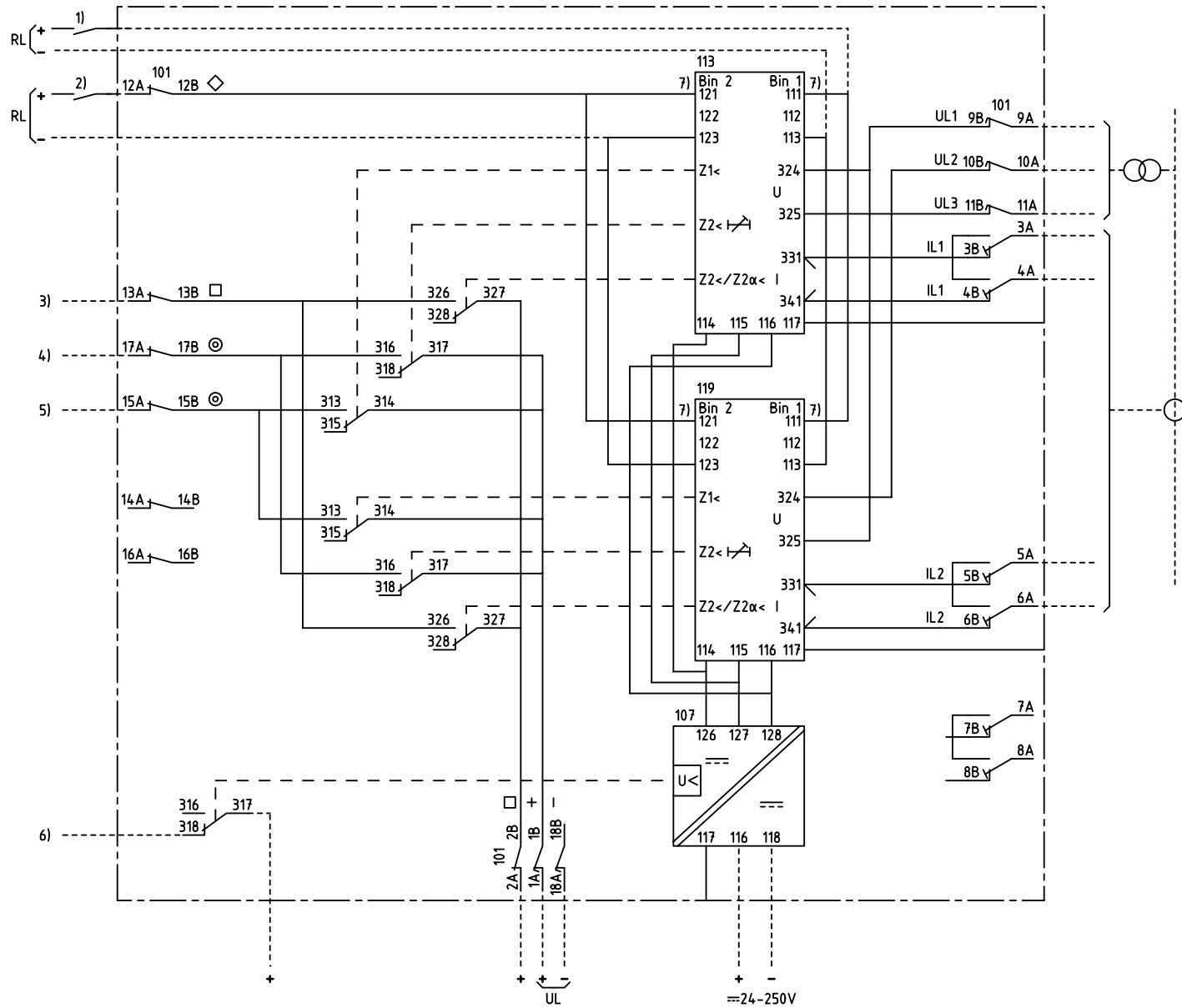


We reserve all rights in this document and in the information contained therein. Reproduction, use or distribution of this document without the written permission of ABB Automation Technologies AB is strictly forbidden.

1 2 3 4 5 6



2-PH UNDERIMPEDANCE PROTECTION DELAYED

24C			
101	107	113	119
4U			

101 RTXP 18
 107 RXTUG 22H
 113,119 RXZK 22H

- 1) BLOCKING OF ALL THE FUNCTIONS EXCEPT $Z2\alpha <$, FUNCTION $Z2 <$ CHANGES TO AN INSTANTANEOUS FUNCTION.
- 2) RESETTING OF INDICATION
- 3) UNDERIMPEDANCE $Z2 </Z2\alpha <$, START
- 4) UNDERIMPEDANCE $Z2 <$, TRIPPING
- 5) UNDERIMPEDANCE $Z1 <$, TRIPPING
- 6) LOSS OF AUXILIARY VOLTAGE
- 7) CONNECTED FOR RL=110-220V DC CHANGE FROM 111 TO 112 AND 121 TO 122 AT RL=48-60V DC

1 2 3 4 5 6

Customer drw no	Prep. PTUA/ TPTD Eriksson Jill	2000-11-24	1MRK 001064-KA	
	Appr. PTUA/ TATD Karlsson Roger	2001-03-27	Circuit Diagram	
	Resp. dept PTUA/ TPTD		2-phase underimpedance protection	
	Based on		Document number	Lang. en
	ABB ABB Automation Technologies		1MRK001065-KA	Rev. -
				Sheet 1

Document status: Approved