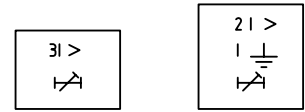
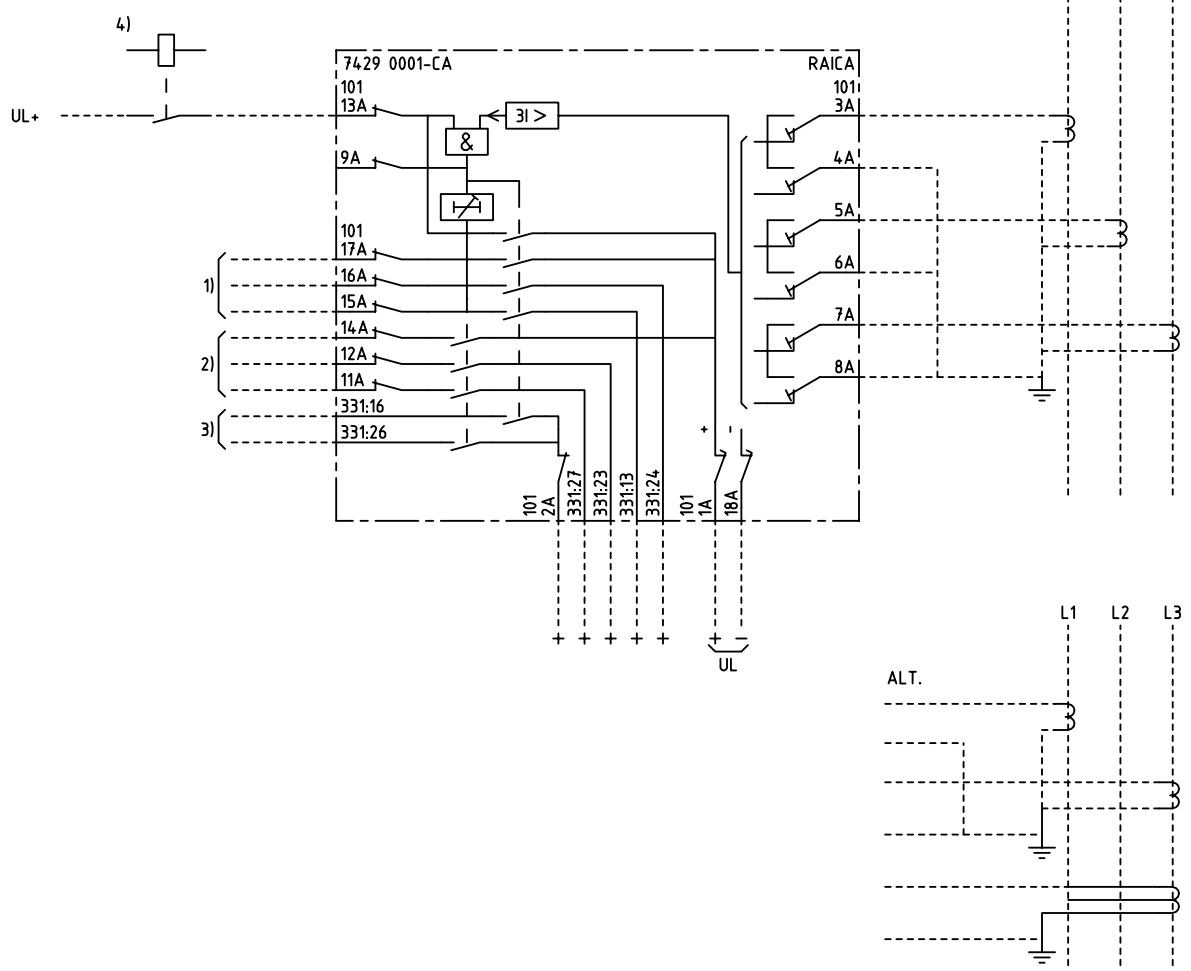


We reserve all rights in this document and in the information contained therein. Reproduction, use or distribution of this document without the written consent of ABB Network Partner AB is strictly forbidden.



BREAKER FAILURE PROTECTION
 WITH ONE TIME STEP,
 CURRENT DETECTORS IN 3-PHASES
 OR IN 2-PHASES + EARTH

BRYTARFELSSKYDD MED ETT TIDSSTEG,
 STRÖMRELÄER I TRE-FASER
 ELLER I 2-FASER + JORD

- 1) TRIPPING OF PRIMARY CIRCUIT BREAKER
UTLÖSNING AV PRIMÄRBRYTARE
- 2) TRIPPING OF BACK-UP CIRCUIT BREAKERS
UTLÖSNING AV RESERVBRYTARE
- 3) ALARM ETC.
SIGNAL M.M
- 4) TRIP RELAY IN ANOTHER PROTECTION
UTLÖSNINGSRELÄ I ANNAT SKYDD

ELCAD ID TPTD/render

DATE 2004-06-223:30

Issued in ARCADE

Prepared 81.12 C-H EINVALL		TERMINAL DIAGRAM/UTTAGSSCHEMA			
Approved 81.12 Peter Jenøker		RAICA BREAKER FAILURE PROTECTION			
		BRYTARFELSSKYDD		Resp dep TPTD Rev ind 2 96.45 Lang 82	
Rev Ind	Revision	Reg No 7429	ABB ABB Network Partner AB		7429 0001-CAA
Based on	Pct 890.651				

1

2

3

4

5

6