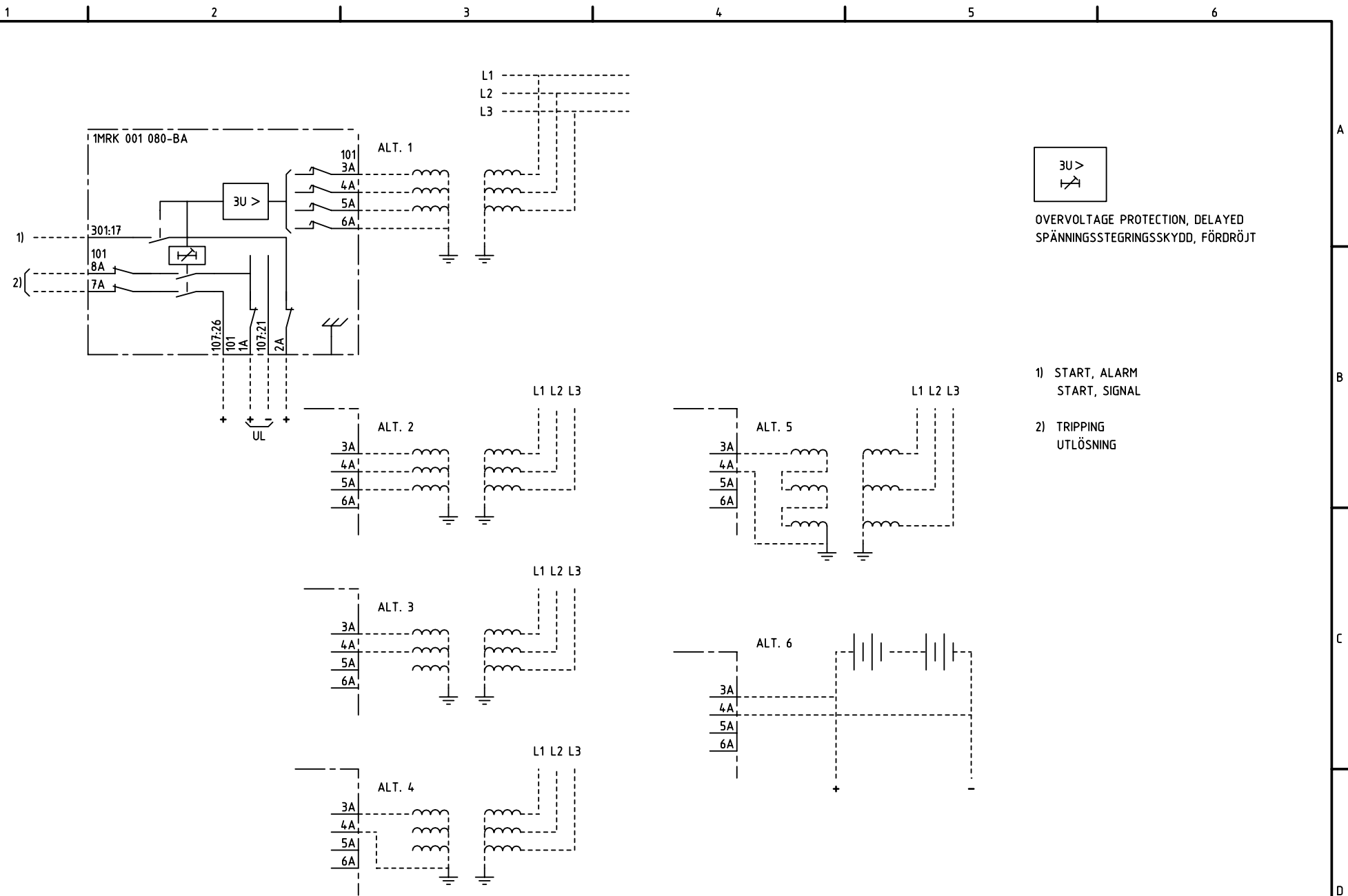


We reserve all rights in this document and in the information contained therein. Reproduction, use for other than intended purposes, or distribution without the written permission of ABB Network Partner AB is strictly forbidden.



ELCAD ID PS/render

DATE 2004-06-23:26

Issued in ARCADE

Prepared 97-09-12 C-H EINVALL/JE		TERMINAL DIAGRAM/UTTAGSSCHEMA		Resp dep PS		Rev ind -		Lang 82	
Approved 97-11-27 P JENÄKER		RAEDA OVERVOLTAGE PROTECTION		1MRK 001 080-BAA		Sheet 1			
Rev Ind Revision		Reg No 7411		Cont					
Based on		Pcl 890,463		ABB ABB Network Partner AB					