



MS-7 500mm Pallet Corner Unit

Main Applications: Engine, Axle, Transmission Assembly



Description:

- Pallet corner unit to transport 500mm wide pallet 90° around corner

Equipment:

- MS-7 transport section
- 45° Coupling to slave power from driven side of conveyor
- Upper and lower deckplate covers
- Three (3) leg sets (parametric design allows for 400mm - 800mm height)

Customer Benefits:

- Small unit profile
- Global standard available from all ABB PTA lead centers

Global Code:

S0700-310-50

Version: A



MS-7 500mm Pallet Corner Unit

Process Parameters

| Name | Values | Units | Description |
|------------------|-------------------------------------|---------|---|
| Rotation: | 90 (default); n/a (min); 360 (max); | degrees | Angular rotation capability of the unit |
| Conveyor speed: | 15 (default); 2 (min); 18 (max) | m/min. | Operating speed limits of this conveyor |
| Standard length: | 1 (default) | Meters | inches |

Design Parameters

| Name | Values | Units | Description |
|------|--------|-------|-------------|
| None | | | |

Reference Projects:
301351; 301359

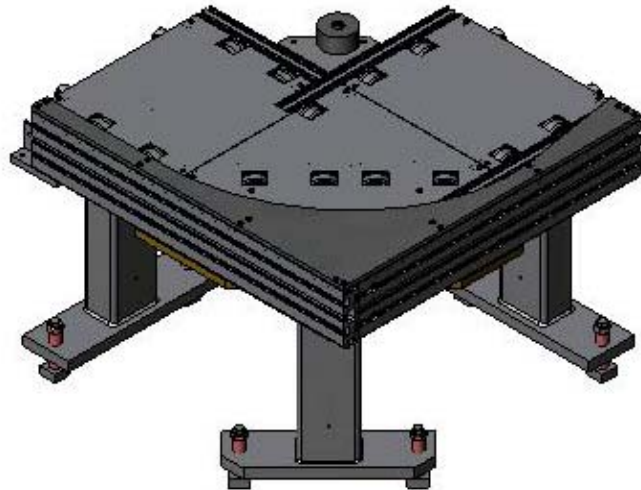


ABB Inc.
1250 Brown Road
Auburn Hills, Michigan 48326
T/ 248-393-4600
F/ 248-393-4603

ABB Automation Technologies AB
Powertrain
Omformargatan 18
SE-72137 Västerås
Sweden
T/ +46-21-3600-400
F/ +46-21-3600-450

ABB Engineering Ltd.
31 Industrial Building
Fu Te Dong San Road
Waigaoqiao FTZ, Pudong
Shanghai, P. R. China 200131
T/ +86-21-6105-6666
F/ +86-21-6105-6667

www.abb.com/robotics

ABB Inc.

