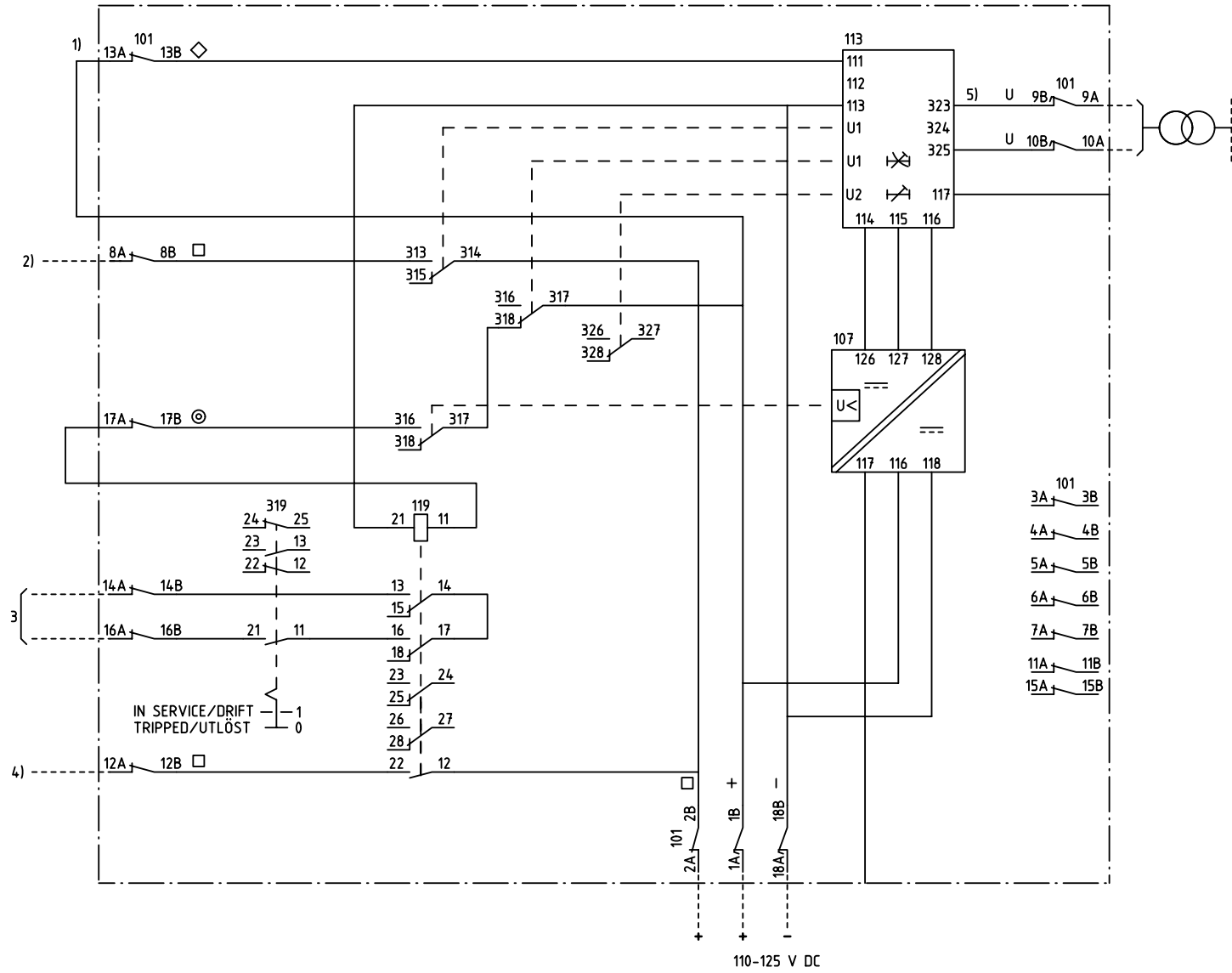
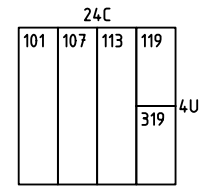


We reserve all rights in this document and in the information contained therein. Reproduction, use for other purposes or distribution without the written consent of ABB Network Partner AB is strictly forbidden.



$\overline{U}$   
 $\underline{U}$

OVER OR UNDERVOLTAGE PROTECTION  
ÖVER ELLER UNDER SPÄNNINGSSKYDD



- 101 RTXP 18
- 107 RXTUG 22H
- 113 RXEDK 2H
- 119 RXMB 1
- 319 SWITCH 1

- 1) RESETING OF INDICATION  
ÅTERSTÄLLNING AV INDIKERING
- 2) START STAGE 1/STAGE 2  
START STEG 1/STEG 2
- 3) TRIPPING  
UTLÖSNING
- 4) ALARM ETC  
SIGNAL MM.
- 5) CONNECTED FOR UR=200V AC  
KOPPLAD FÖR UR=200V vs

ELCAD ID PS/render		DATE 2004-06-230:40		1MRK 001 013-ES		Issued in ARCADE	
		Prepared 98-01-30 H RAZA		CIRCUIT DIAGRAM/KRETSSCHEMA			
		Approved 98-04-09 P JENÄKER		RAEDK1 VOLTAGE PROTECTION			
				RAEDK 1 SPÄNNINGSSKYDD		Resp dep PS Rev Ind - Lang 82	
Rev Ind	Revision	Reg No	7411	<b>ABB</b> ABB Network Partner AB		<b>1MRK 001 014-ES</b>	
Based on		Pcl	890 461				
						Cont	