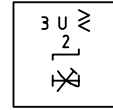
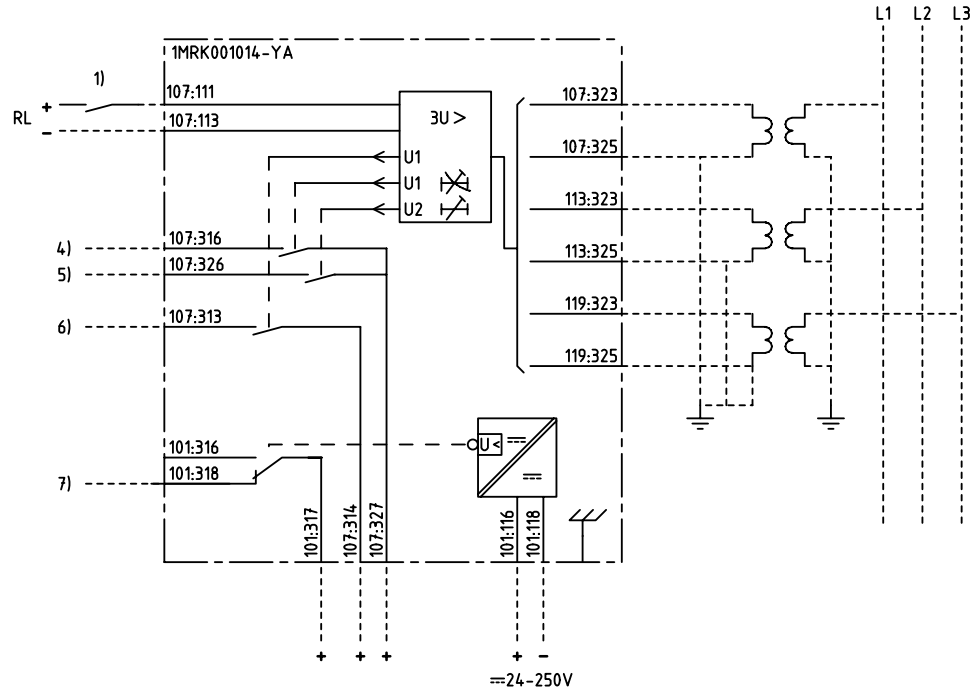
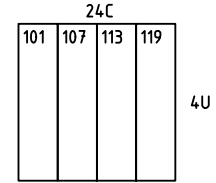


We reserve all rights in this document and in the information contained therein. Reproduction, use or distribution of this document without our express authority is strictly forbidden. © ABB AB



3-PHASE OVER/UNDER VOLTAGE PROTECTION
3-FAS SPÄNNINGSSTĘRING-/UNDERSPÄNNINGSSKYDD



101 RXTUG 22H
107,113,119 RXEDK 2H

- 1) RESETTING OF INDICATION
ÅTERSTÄLLNING AV INDIKERING
- 4) TRIPPING STAGE 1
UTLÖSNING STEG 1
- 5) TRIPPING STAGE 2
UTLÖSNING STEG 2
- 6) START STAGE 1
START STEG 1
- 7) LOSS OF AUXILIARY VOLTAGE
BORTFALL AV HJÄLPSPÄNNING

Customer drw no	Prep. PSS/ TP/LA J Eriksson 2008-08-11	Connection Diagram	Conf. sh/ No of sh
	Appr. PSS/ Nyback Patrik 2008-08-18		
	Resp. dept PSS/ TP/LA	Document number	Lang. Rev. Sheet
Based on	ABB ABB AB	1MRK001014-YAA	en 1

Document status: Approved