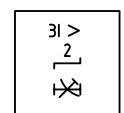
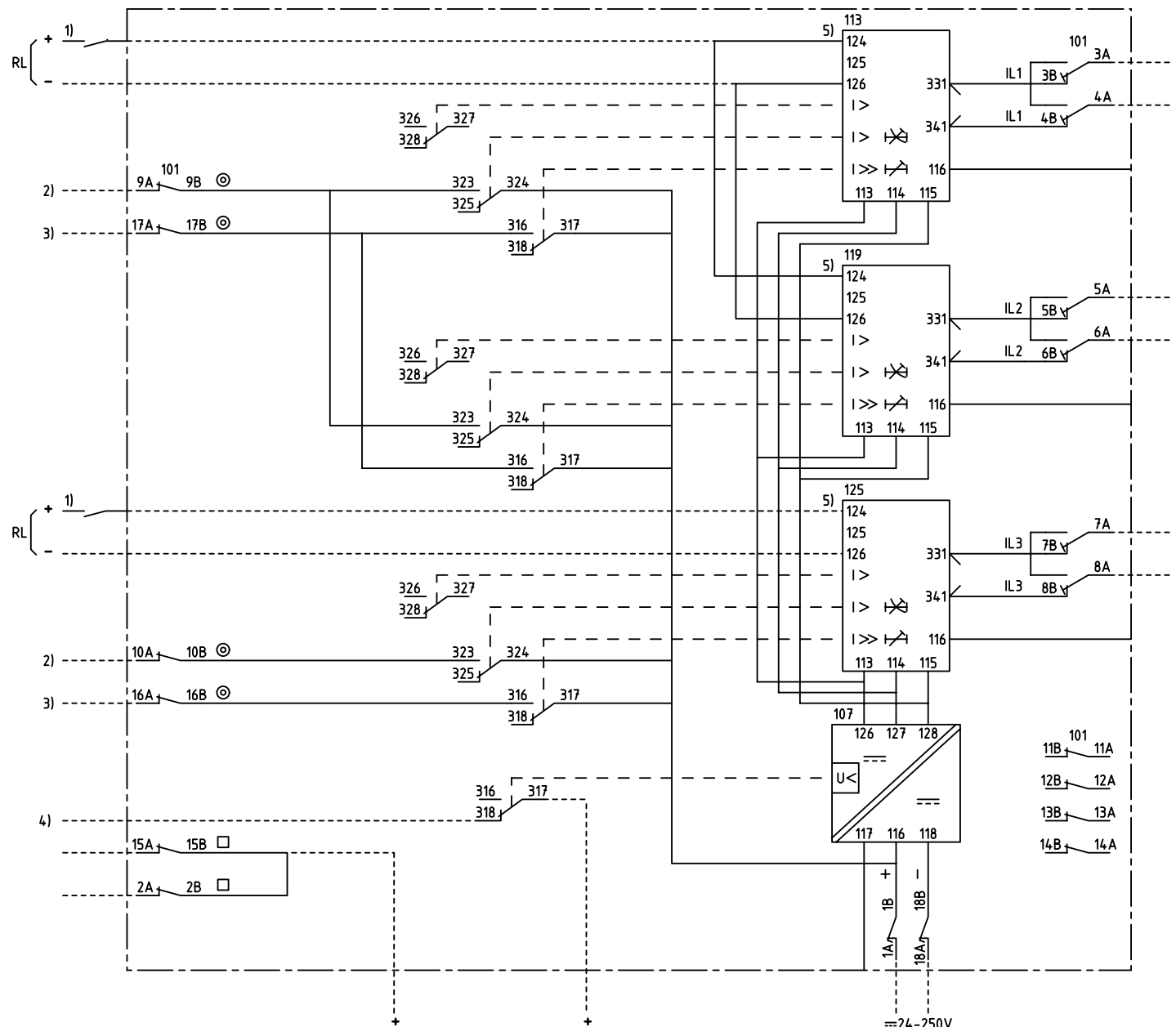
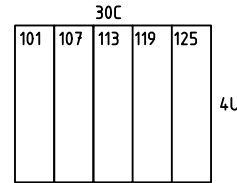


We reserve all rights in this document and in the information contained therein. Reproduction, use for advertising or promotional purposes without the written consent of ABB Network Partner AB is strictly forbidden.



3-PHASE OVERCURRENT PROTECTION
3-FAS ÖVERSTRÖMSKYDD



101 RTXP 18
107 RXTUG 22H
113 RXIDK 2H
OPTION 119,125 RXIDK 2H

- 1) ENABLE, BLOCK OR INCREASED OP.VALUE FRIGIVNING, BLOCKERING ELLER ÖKAT FUNKTIONSVÄRDE
- 2) LOW SET STAGE, TRIPPING LÅGSTRÖMSSTEG, UTLÖSNING
- 3) HIGH SET STAGE, TRIPPING HÖGSTRÖMSSTEG, UTLÖSNING
- 4) LOSS OF AUXILIARY VOLTAGE BORTFALL AV HJÄLPSPÄNNING
- 5) CONNECTED FOR RL=110-220V DC CHANGE FROM 124 TO 125 AT RL=48-60V DC
KOPPLAD FÖR RL=48-60V DC ÄNDRA FRÅN 124 TO 125 VID RL=48-60V DC

ELCAD ID PS/render DATE 2004-06-232:06

1MRK 001002-PK Issued in ARCADE

Prepared 98-09-15 H RAZA/KJ		CIRCUIT DIAGRAM/KRETSSCHEMA		Resp dep PS		Rev ind -		Lang 82	
Approved 98-09-28 P JENÄKER		RAIDK 3 OVERCURRENT PROTECTION		Sheet 1		Cont		1	
Rev Ind Revision		Reg No 7411		Based on		Pct 890 474		ABB ABB Network Partner AB 1MRK 001 003-PK	