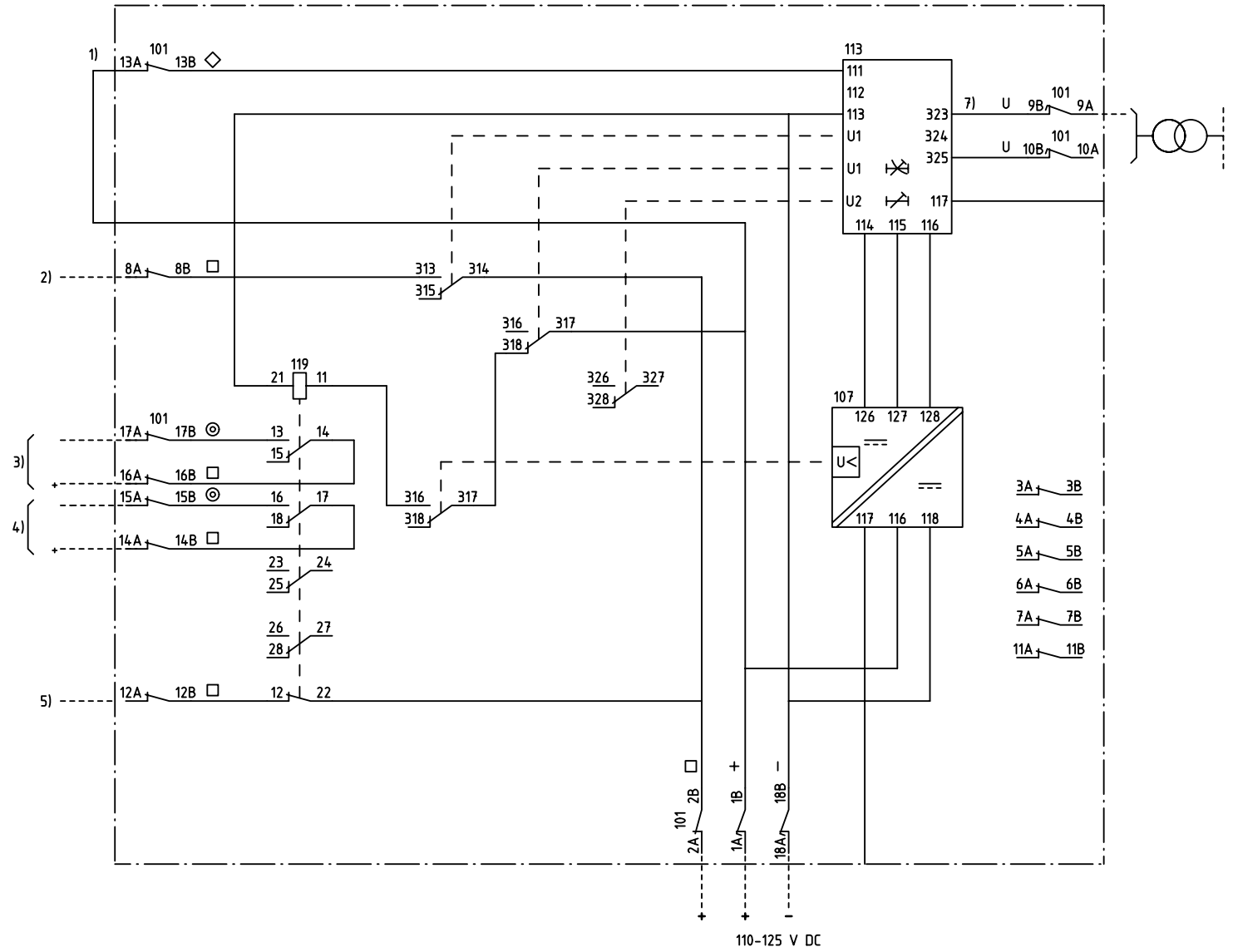
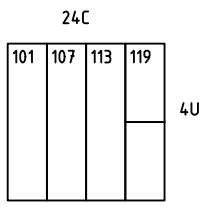


We reserve all rights in this document and in the information contained therein. Reproduction, use for other than intended purposes, or distribution without the written permission of ABB Network Partner AB is strictly forbidden.



OVER OR UNDERVOLTAGE PROTECTION
ÖVER ELLER UNDER SPÄNNINGSSKYDD



- 101 RTXP 18
- 107 RXTUG 22H
- 113 RXEDK 2H
- 119 RXMB 1

- 1) RESETTING OF INDICATION
ÅTERSTÄLLNING AV INDIKERING
- 2) START STAGE 1/STAGE 2
START STEG 1/STEG 2
- 3) TRIPPING STAGE 1/STAGE 2 (SSPS K-TRAIN)
UTLÖSNING STEG 1/STEG 2 (SSPS K-TRAIN)
- 4) TRIPPING STAGE 1/STAGE 2 (SSPS J-TRAIN)
UTLÖSNING STEG 1/STEG 2 (SSPS J-TRAIN)
- 5) ALARM ETC.
SIGNAL MM.
- 7) CONNECTED FOR UR=200V AC
KOPPLAD FÖR UR=200V vs

ELCAD ID PAT/render		DATE 2004-06-2222:55		1MRK 001 013-ER		Issued in ARCADE	
		Prepared 97-03-13 H Raza/LO		CIRCUIT DIAGRAM/KRETSSCHEMA			
		Approved 97-04-21 H Raza		RAEDK1 VOLTAGE PROTECTION			
				RAEDK 1 SPÄNNINGSSKYDD		+ . . .	
Rev Ind	Revision	Reg No	7411	Resp dep PAT		Rev ind	2 9726
Based on	Pcl	890 461		Lang		82	
				ABB ABB Network Partner AB		1MRK 001 014-ER	
						Sheet	1
						Cont	