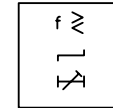
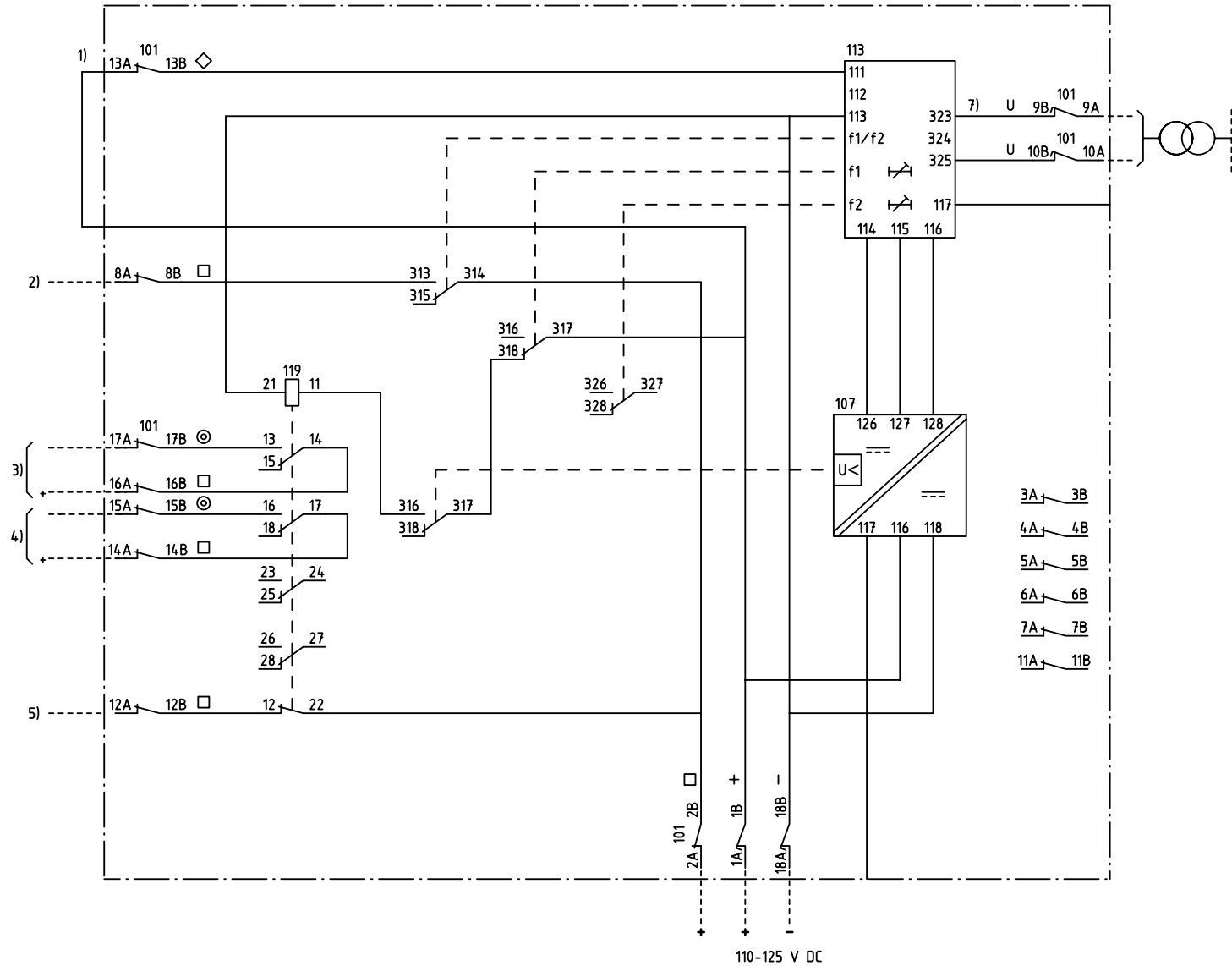
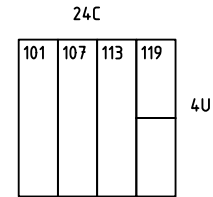


We reserve all rights in this document and in the information contained therein. Reproductions, use for other than the intended purpose, without the prior written consent of ABB Network Partner AB is strictly forbidden.



OVER OR UNDERFREQUENCY PROTECTION  
ÖVER ELLER UNDER FREKVENSSKYDD



- 101 RTXP 18
- 107 RXTUG 22H
- 113 RXFK 2H
- 119 RXMB 1

- 1) RESETTING OF INDICATION  
ÅTERSTÄLLNING AV INDIKERING
- 2) START STAGE 1/STAGE 2  
START STEG 1/STEG 2
- 3) TRIPPING STAGE 1/STAGE 2 (SSPS K-TRAIN)  
UTLÖSNING STEG 1/STEG 2 (SSPS K-TRAIN)
- 4) TRIPPING STAGE 1/STAGE 2 (SSPS J-TRAIN)  
UTLÖSNING STEG 1/STEG 2 (SSPS J-TRAIN)
- 5) ALARM ETC.  
SIGNAL MM.
- 7) CONNECTED FOR UR=200V AC  
KOPPLAD FÖR UR=200V vs

ELCAD ID PAT/render

DATE 2004-06-230:39

1MRK 001 025-ER

Issued in ARCADE

Prepared 97-03-13 H Raza/LO		CIRCUIT DIAGRAM/KRETSSCHEMA		+ . .	
Approved 97-04-21 H Raza		RAFK 1 FREQUENCY PROTECTION		Resp dep PAT Rev ind 2 9726 Lang 82	
Rev Ind Revision Reg No 7411		RAFK 1 FREKVENSSYDD		Sheet 1	
Based on Pcl 890 546		ABB ABB Network Partner AB		Cont	

**1MRK 001 026-ER**